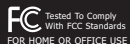


LEVEL 20

Celebrate 20th Anniversary



© 2018 Thermaltake Technology Co., Ltd. All Rights Reserved. 2018.04
All other registered trademarks belong to their respective companies. www.thermaltake.com



- User's Manual ■ Benutzerhandbuch ■ Mode d'emploi ■ Manual del usuario
- Manuale dell'utente ■ Manual do Utilizador ■ 安裝說明書 ■ 用戶手冊
- ユーザーズマニュアル ■ Руководство пользователя
- kullanıcı elkitabı (EEE Yönetmeliğine Uygundur) ■ คู่มือการใช้

TT Premium



TT Premium

To continue achieving the corporate mission of delivering the perfect user experience, Thermaltake developed "TT Premium" with the essence of combining supreme quality products with a new logo design. TT Premium is far more than just a guarantee of quality. Behind the name, it represents the passion in DIY, Modding and Thermaltake's desire to be the most innovative brand in the PC hardware market. To satisfy the demand of the high-end PC users, TT Premium follows its core values of Excellent Quality, Unique Design, Diverse Combinations and Boundless Creativity to provide a high performance PC product for every enthusiast. <http://tppremium.com>

Tt LCS-Liquid Cooling Support Certification



Tt LCS Certified is a Thermaltake exclusive certification applied to only products that pass the design and hardcore enthusiasts standards that a true LCS chassis should be held to. The Tt LCS certification was created so that we at Thermaltake can designate to all power users which chassis have been tested to be best compatible with extreme liquid cooling configurations to ensure you get the best performance from the best features and fitment.

Join Tt Community To Receive Benefits



Dear Valued Customer,

Thank you for choosing Thermaltake.

As a new user we value your thoughts and opinions and your feedback is important to us. We at Thermaltake would like to use this opportunity to invite you to join our Community Forums. Register today to start enjoying the full benefits of our community.



Benefits of being a member:

- Quick and responsive user support
- Receive help and advice with new builds
- Keep up to date with new product releases
- Share your thoughts and builds with the community
- Enter monthly contests and giveaways

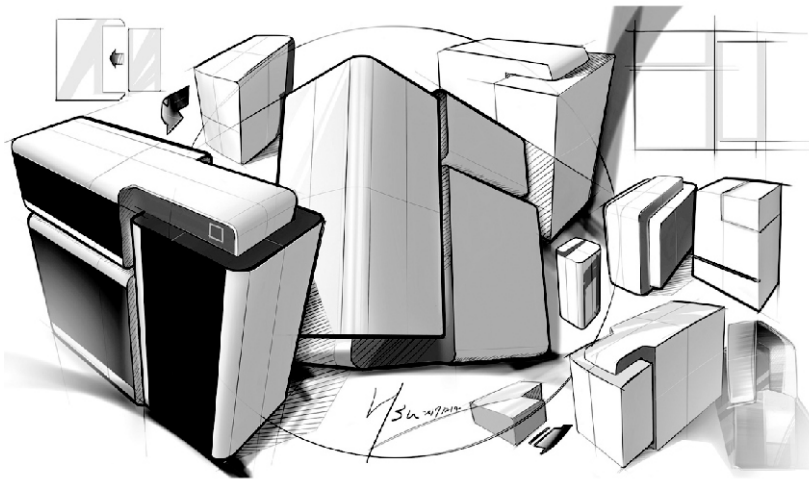
Brand official website
<http://www.thermaltake.com/>

Global Facebook
<https://www.facebook.com/ThermaltakeInc>

Taiwan Facebook
<http://www.facebook.com/ThermaltakeTW>

Global community forums
<http://community.thermaltake.com>

Design Story



Thermaltake embraces our deep-rooted core values, PC cooling. It is the rudiment that Thermaltake is built on, wanting to focus on ventilation optimization, we decided to bring back the highly adored individual compartmental design from its predecessor, Level 10. With excellent airflow and the capacity to house outstanding amount of liquid and air cooling system, Level 20 is a superior ventilation optimum chassis.

We also recognize the importance of innovative flexibility for the hardcore gamers and DIY PC lovers today. With that in mind, we incorporated various flexible mechanisms such as interchangeable panels and versatile components placements. The flexibility provides incredible modding potential for modders and enthusiasts.

Being the trend-leading figure in the PC industry, Thermaltake incorporated the latest AI software control technology into Level 20. The voice command software system can control the built in RGB fan, Lumi Plus LED strip, and other TT RGB products. The illumination system made Level 20 the latest addition to our gorgeous TT RGB Family.

CONTENTS

Chapter 1. Product Introduction

1.0	Specification	02
1.1	Accessory	03
1.2	Warning and Notice	05

Chapter 2. Installation Guide

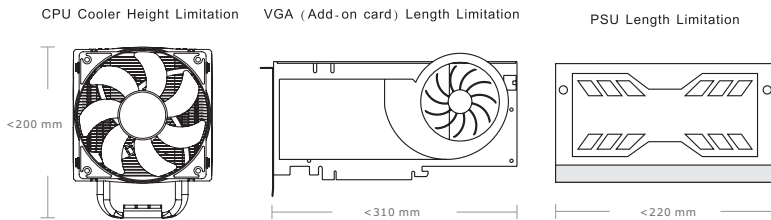
2.0	Side Panels Disassembly	07
2.1	Power Supply Unit (PSU) Installation	09
2.2	Motherboard Installation	11
2.3	3.5" & 2.5" HDD Installation	12
2.4	PCI Card Installation	13
2.5	Pump Installation	15
2.6-1	Air Cooling Installation	16
2.6-2	Liquid Cooling Installation	16
2.7	Radiator Installation Guide	17
2.8	Tt RGB Plus Installation	19
2.9	Tt RGB Plus Software control interface	21

Chapter3 Leads Installation Guide

3.0	Case LED connection	23
3.1	USB 3.0 connection	23
3.2	USB 3.1 connection	23
3.3	Audio connection	24
3.4	Thermaltake Power Supply Series (Optional)	25
3.5	Tt RGB Plus Ecosystem	27

Case Type	Full Tower
Chassis Dimension (D*W*H)	732 x 280 x 688 mm (28.8 x 11 x 27.1 inch)
Side Panel	4 mm Tempered Glass x 3 (Left)
Color	Exterior: Space Gray(Aluminum) ; Interior : Black
Material	SPCC + Aluminum
Cooling System (Main Area)	Rear (exhaust) : 140 x 140 x 25 mm Riing Plus RGB fan (500-1400 rpm, 27.2dBA) Front (intake) : 140 x 140 x 25 mm Riing Plus RGB fan (500-1400 rpm, 27.2dBA) x2
Drive Bays - Accessible - Hidden	2.5" or 3.5"x6 (HDD Cage), 2.5" or 3.5" x 2 (HDD Bracket) 2.5" x 3 or 3.5"x2 (HDD Bracket)
Expansion Slots	8+2
Motherboards	6.7" x 6.7" (Mini ITX), 9.6" x 9.6" (Micro ATX), 12" x 9.6" (ATX), 12" x 13" (E-ATX)
I/O Port	USB 3.0 x 4, Type-C x 1, HD Audio x 1
Fan Support	Storage/LCS Chamber 4 x 120 mm, 3 x 140 mm M/B Chamber Front: 3 x 120 mm, 2 x 140 mm Rear: 1 x 120 mm, 1 x 140 mm
Radiator Support	Storage/LCS Chamber 1 x 480 mm, 1 x 420 mm M/B Chamber Front: 1 x 360 mm, 1 x 280 mm Rear: 1 x 120 mm, 1 x 140 mm
Clearance	CPU cooler height limitation: 200 mm VGA length limitation: 260 mm (With Thick Radiator + Fan) 310 mm (Without Radiator) PSU length limitation: 220 mm

Warning & Notice



Warning!!

CPU Cooler Height Limitation:

Please ensure that your CPU cooler does NOT exceed 200 mm (7.87 inches) height.

VGA (Add-on card) Length Limitation:

Please ensure that your VGA (Add-on card) does NOT exceed 310 mm (12.2 inches) length.

PSU Length Limitation:

Please ensure that your PSU does NOT exceed 220 mm (8.7 inches) length.

Warnung!!

CPU-Kühler Höhenbeschränkung:

Bitte stellen Sie sicher, dass Ihr CPU-Kühler 200 mm (7,87 Zoll) Höhe nicht überschreitet.

VGA (Add-on-Karte) Längenbeschränkung:

Bitte stellen Sie sicher, dass Ihre VGA (Add-on-Karte) 310 mm (12,2 Zoll) Länge nicht überschreitet.

PSU Längenbeschränkung:

Bitte stellen Sie sicher, dass Ihre PSU 220 mm (8,7 Zoll) Länge nicht überschreitet.

Avertissement !

Limite de hauteur du ventilateur de CPU:

Vérifiez que la hauteur du ventilateur de CPU ne dépasse pas 200 mm.

Limite de longueur de la carte (complémentaire) VGA:

Vérifiez que la longueur de votre carte (complémentaire) VGA ne dépasse pas 310 mm.

Limite de longueur de la carte PSU:

Vérifiez que la longueur de votre carte PSU ne dépasse pas 220 mm.

Precaución

Limitación de altura del refrigerador de CPU:

Asegúrese de que la altura de su refrigerador de CPU no excede los 200 mm (7,87 pulgadas).

Limitación de longitud de la tarjeta de vídeo (adicional):

Asegúrese de que la longitud de su tarjeta de vídeo (adicional) no excede los 310 mm (12,20 pulgadas).

Limitación de longitud de la tarjeta de PSU:

Asegúrese de que la longitud de su tarjeta de PSU no excede los 220 mm (8,7 pulgadas).

Attenzione!

Limitazione altezza dissipatore CPU:

Assicurarsi che l'altezza del dissipatore CPU NON superi 200 mm (7,87 pollici).

Limitazione lunghezza VGA (scheda aggiuntiva):

Assicurarsi che la lunghezza del VGA (scheda aggiuntiva) NON superi 310 mm (12,20 pollici).

Limitazione lunghezza PSU:

Assicurarsi che la lunghezza del PSU NON superi 220 mm (8,7 pollici).

警告！！

CPU 冷卻器的高度限制：

請確保 CPU 冷卻器的高度不超過 200 mm (7.87 英寸)。

VGA (附加介面卡) 的長度限制：

請確保 VGA (附加介面卡) 的長度不超過 310 mm (12.20 英寸)。

電源供應器 的長度限制：

請確保 電源供應器 的長度不超過 220 mm (8.7 英寸)。

警告！！

CPU 散热器高度限制：

請確保 CPU 散热器的高度不超過 200 mm (7.87 英寸) 。

VGA (附加卡) 長度限制：

請確保 VGA (附加卡) 的長度不超過 310 mm (12.20 英寸) 。

電源供應器 長度限制：

請確保 電源供應器 的長度不超過 220 mm (8.7 英寸) 。

警告

CPUクーラーの高さ制限:

CPUクーラーの高さが 200 mmを超えていないことを確認してください。

VGA (アドオンカード) の長さ制限:

VGA (アドオンカード) の長さが 310 mmを超えていないことを確認してください。

PSU の長さ制限:

PSU の長さが 220 mmを超えていないことを確認してください。

Внимание!

Ограничение по высоте охладителя ЦП

Убедитесь, что высота охладителя ЦП (центрального процессора) НЕ превышает 200 мм (7,87 дюйма).

Ограничение по длине видеокарты VGA (плата расширения)

Убедитесь, что длина видеокарты VGA (плата расширения) НЕ превышает 310 мм (12,20 дюйма).

Ограничение по длине видеокарты PSU

Убедитесь, что длина видеокарты PSU НЕ превышает 220 мм (8,7 дюйма).

Uyarı!!

CPU Soğutucu Yükseklik Sınırlaması:

Lütfen CPU soğutucunuzun yüksekliğinin 200 mm'yi (7,87 inç) GEÇMEDİĞİNDEN emin olun.

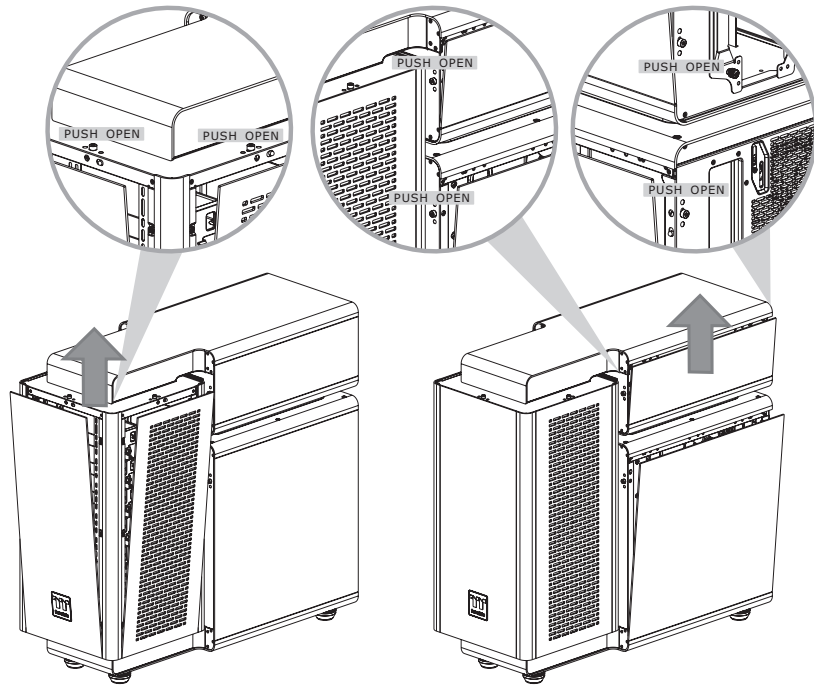
VGA (Eklenli kart) Uzunluk Sınırlaması:

Lütfen VGA'nızın (Eklenli kart) uzunluğunun 310 mm'yi (12,20 inç) GEÇMEDİĞİNDEN emin olun.

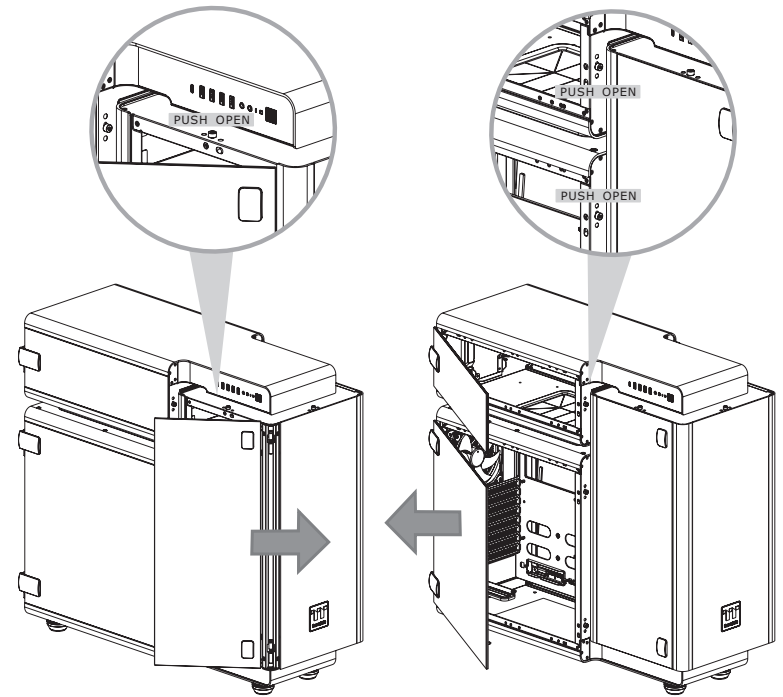
PSU Uzunluk Sınırlaması:

Lütfen PSU uzunluğunun 220 mm'yi (8,7 inç) GEÇMEDİĞİNDEN emin olun.

Side Panels Disassembly

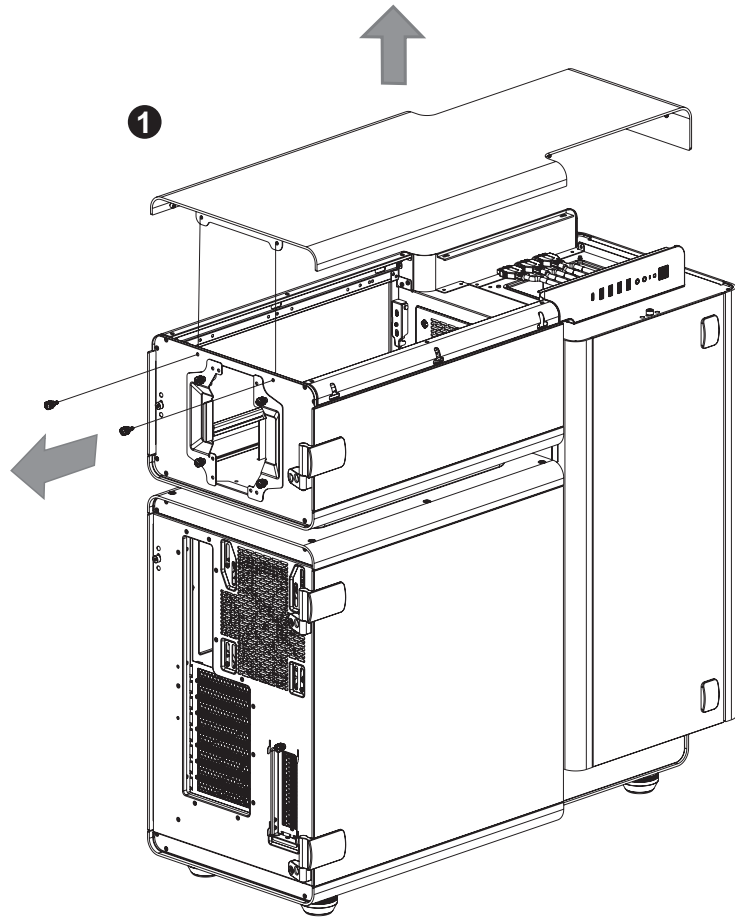


Remove aluminum plates



Remove tempered glass side panels

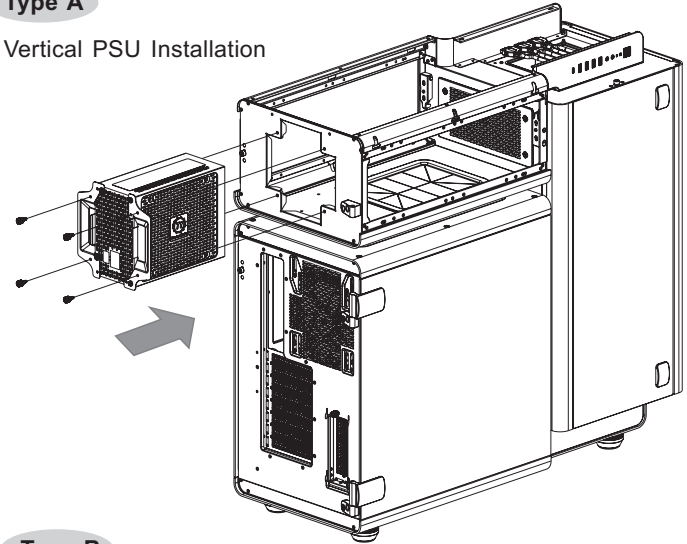
Power Supply Unit (PSU) Installation



2

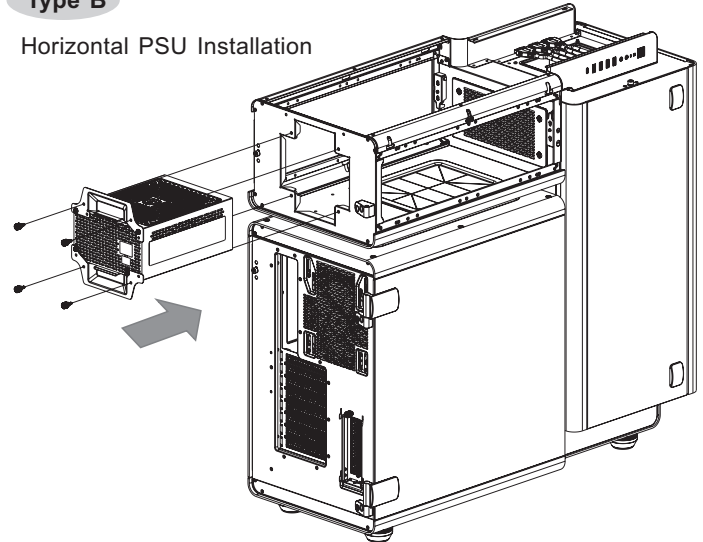
Type A

Vertical PSU Installation

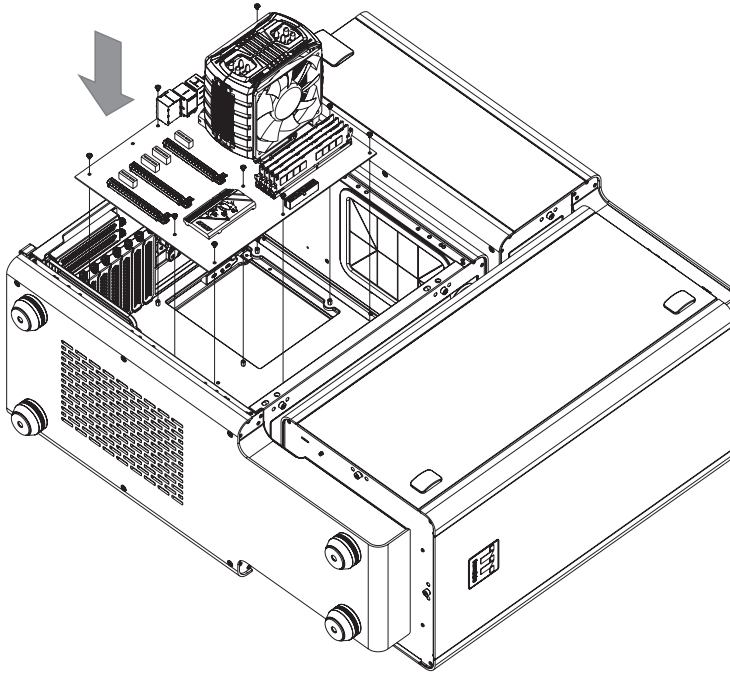


Type B

Horizontal PSU Installation

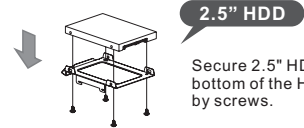


Motherboard Installation



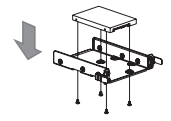
Note:

2.5" & 3.5" HDD Installation

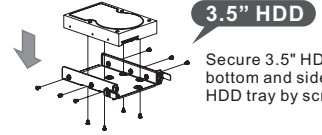


2.5" HDD

Secure 2.5" HDD from the bottom of the HDD bracket by screws.



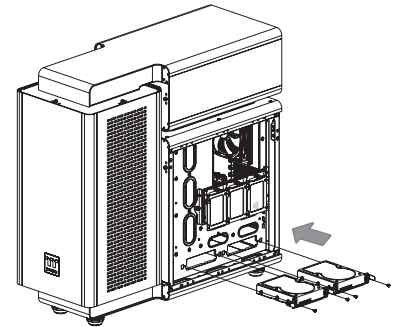
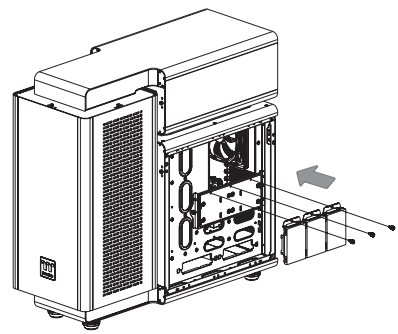
Secure 2.5" HDD from the bottom of the HDD tray by screws.



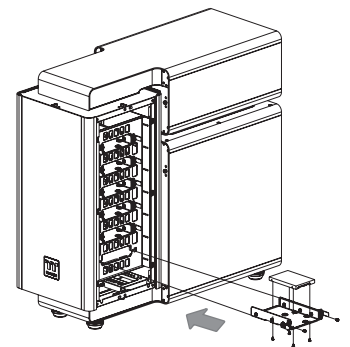
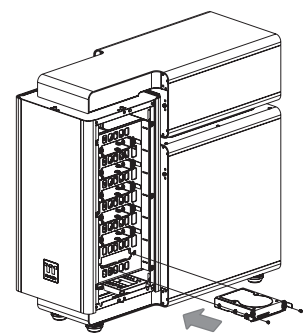
3.5" HDD

Secure 3.5" HDD from the bottom and side of the HDD tray by screws.

M/B Chamber

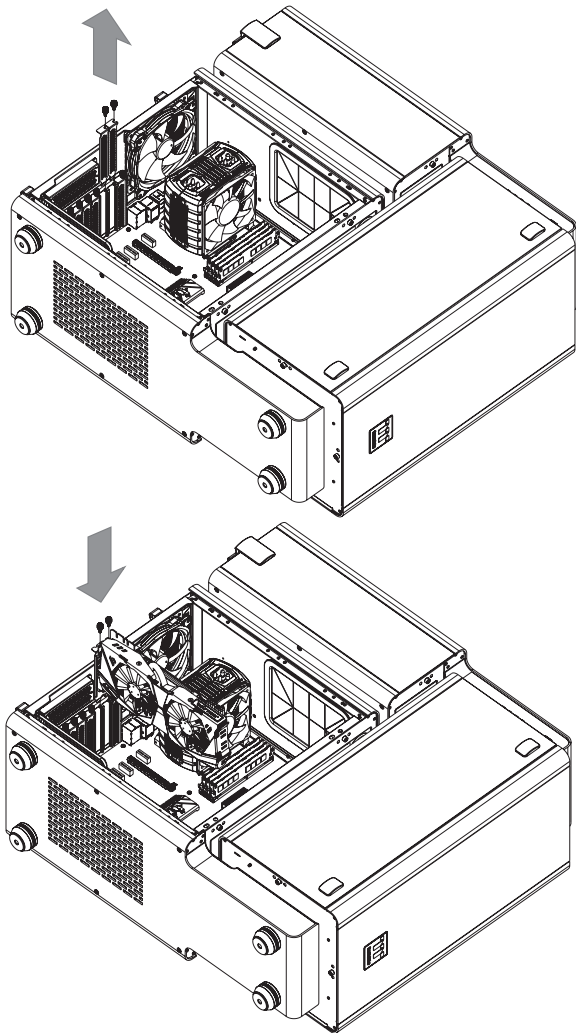


Storage Chamber

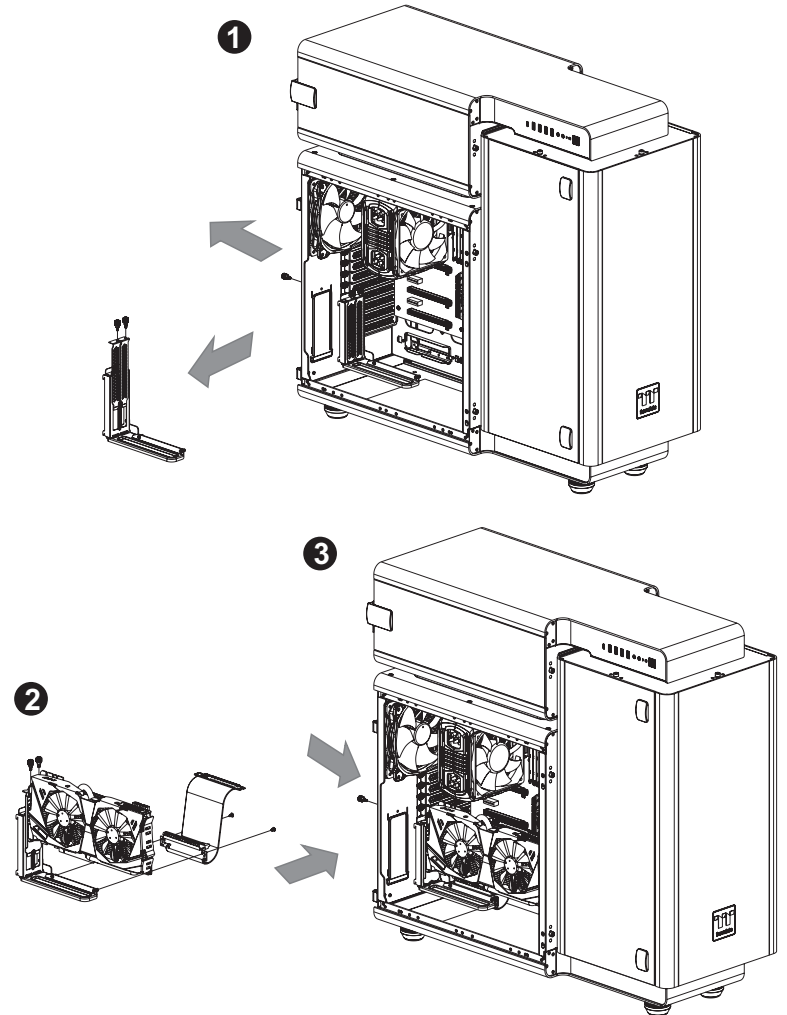


PCI Card Installation

Type A Traditional GPU installation

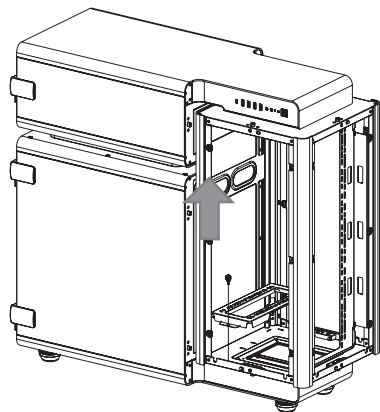


Type B Vertical GPU Installation

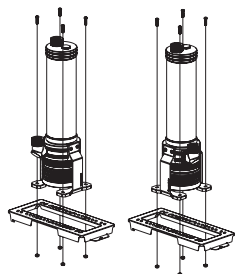


Pump Installation

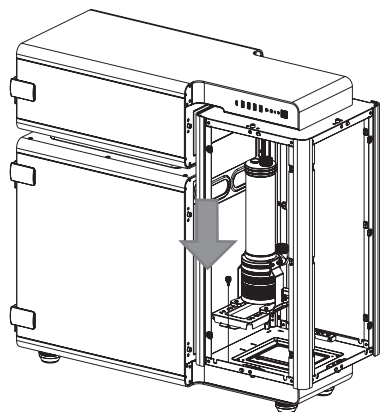
1



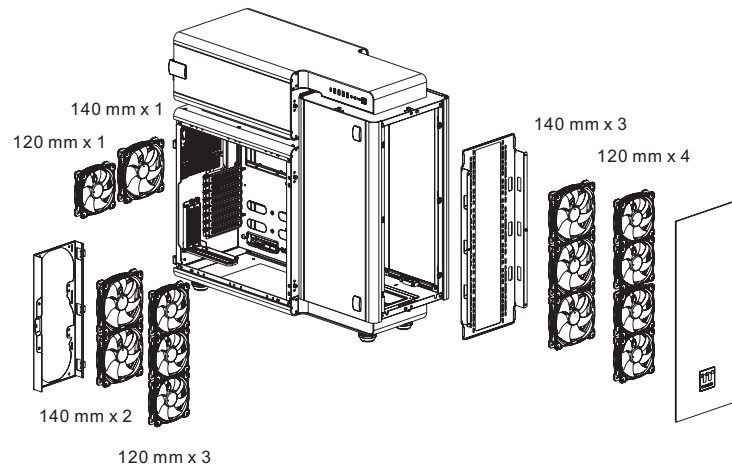
2



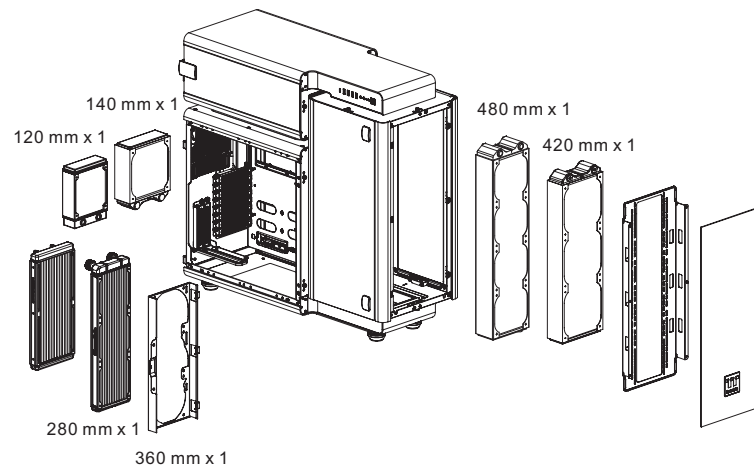
3



Air Cooling Installation



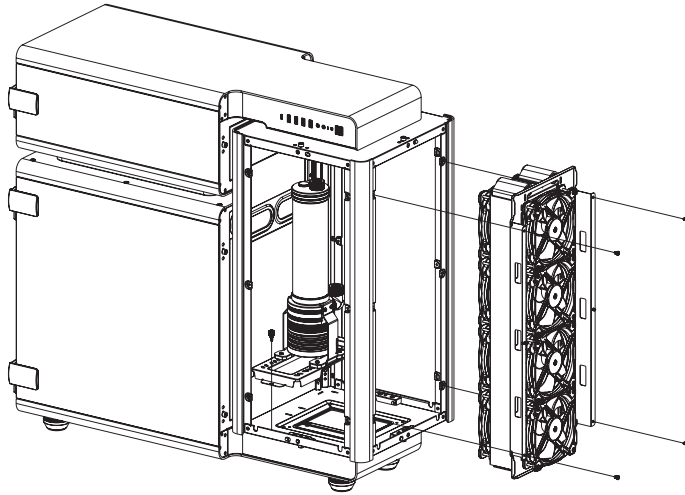
Liquid Cooling Installation



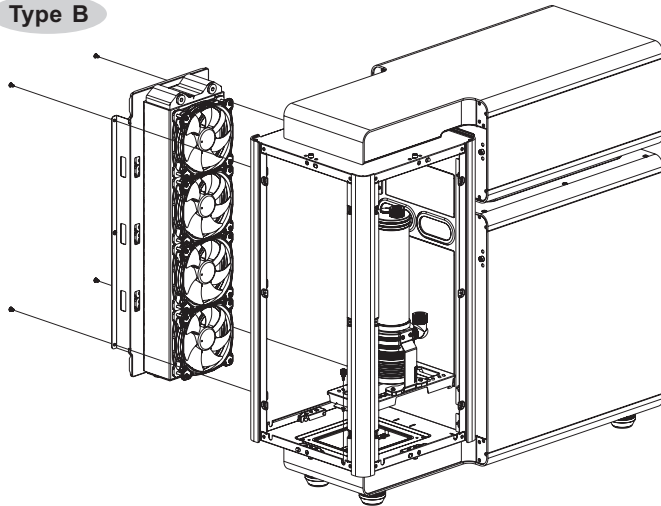
Radiator Installation Guide

Storage/LCS Chamber

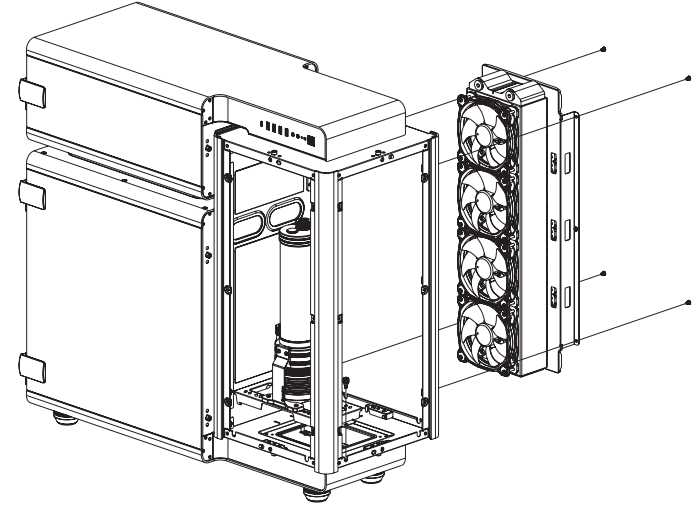
Type A



Type B



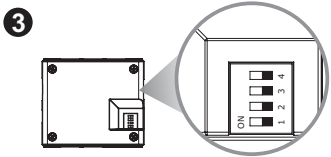
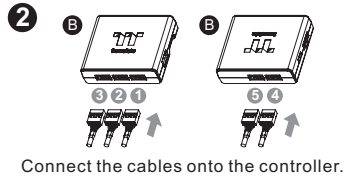
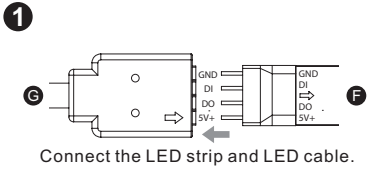
Type C



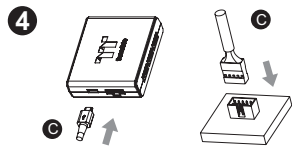
Note:

Installation Guide

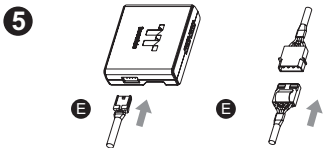
Caution
Please power off the PC and check the Positive ends on the connection before connecting the LED strip to LED cable. Connecting the wrong end can damage the LED strip.



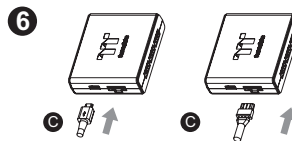
Set the DIP switch on the back side of the controller to assign the number of the controller.



Connect the controller cable onto the mainboard (USB 2.0 9 pin) and controller.

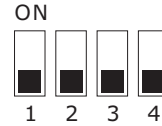


Connect the power cable to the 4 pin Molex connector and controller.

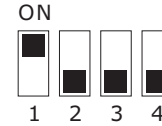


(Another controller is optional)

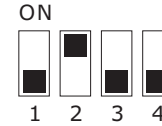
NO.1



NO.2



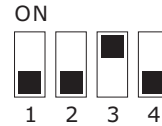
NO.3



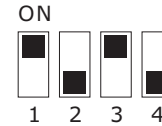
NO.4



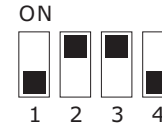
NO.5



NO.6



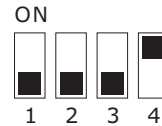
NO.7



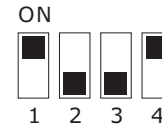
NO.8



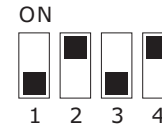
NO.9



NO.10



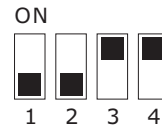
NO.11



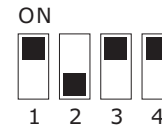
NO.12



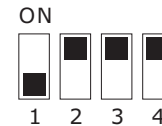
NO.13



NO.14



NO.15



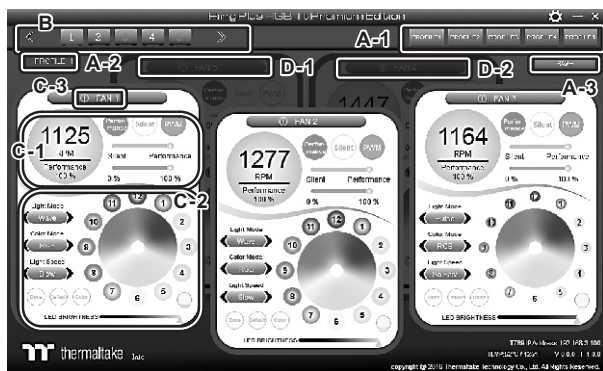
NO.16



Tt RGB Plus Software control interface

Please download software from Thermaltake Official website.
 search " Riing Plus RGB " on the official website.
 OS compatibility: Windows 7 / 8 / 8.1 / 10

1. Software User Interface - Riing Plus Fans



A. TT RGB PLUS software Profile Setting

A-1 Set up a profile: Choose a Profile and set up the Fan Speed Mode and LED Lighting Mode, then click the SAVE icon(A-3) to store your settings to the software.

A-2 Save a profile to controller: Select a profile and a controller, then click the Save icon to assign the profile to the controller.

B. Follow the Installation Guide step 3, you can set up the number of the controller

C. Fan Speed Mode and LED Lighting Mode

Full Lighted / Wave / Pulse / Ripple / Microphone / Sound effect / RGB Spectrum / Flow

C-1 Performance Mode: 500~1500RPM (Duty cycle 0%~100%)
 Silent Mode: 500~900RPM (Duty cycle 0%~50%)
 PWM Mode: The PWM function can be turned off and set the fan speed manually

C-2 LED Selection: set up the LEDs lighting, color, and speed.

Light Mode: Choose a lighting mode

Color Mode: Choose the LEDs color

Light Speed: Set up the speed of the LEDs light

LED Spot & Color Palette: Choose the color of each of the individual LEDs by clicking the color palette

Done: Save your setting

Default: Reset the LED setting back to the default

Brightness: Drag the mouse to adjust LED light brightness.

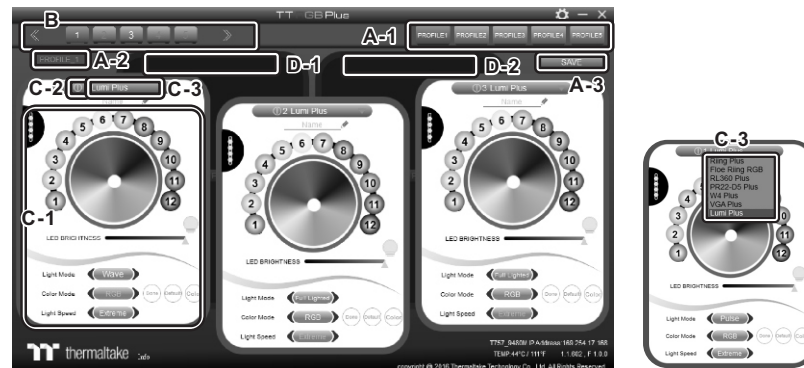
LED On/Off: Click the LED Light icon to turn on or off the LED light

RGB Color Code: Enter the Decimal Code of Red, Green, and Blue to set the LEDs color

C-3 Fan On/Off: User can switch off the fan speed and led control function in the software if the fan is not plug into the controller.

D-1 & D-2. Fan Selection: click the control panel to rotate it to the front

2. Lumi Plus LED Strips



A. TT RGB Plus software Profile Setting

A-1 Set up a profile: Choose a Profile and set up the LED Lighting Mode, then click the SAVE icon(A-3) to store your settings to the software.

A-2 Save a profile to controller: Select a profile and a controller, then click the Save icon to assign the profile to the controller.

B. Follow the Installation Guide step 3, you can set up the number of the controller

C. LED Lighting Mode

Full Lighted / Wave / Pulse / Ripple / Blink / Sound Control / RGB Spectrum / Flow / Thermal / Cross

C-1 LED Selection: set up the LEDs lighting, color, and speed.

Light Mode: Choose a lighting mode

Color Mode: Choose the LEDs color

Light Speed: Set up the speed of the LEDs light

LED Spot & Color Palette: Choose the color of each of the individual LEDs by clicking the color palette

Done: Save your setting

Default: Reset the LED setting back to the default

Brightness: Drag the mouse to adjust LED light brightness.

LED On/Off: Click the LED Light icon to turn on or off the LED light

RGB Color Code: Enter the Decimal Code of Red, Green, and Blue to set the LEDs color

C-2 LED On/Off: User can switch off the LED control function in the software if the fan is not plug into the controller.

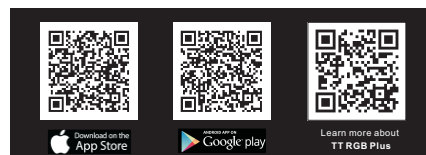
C-3 Drop-down list: click the product name to choice another you want.

D-1 & D-2. Product Selection: click the control panel to rotate it to the front

3. Mobile APP Connection Password

To connect the TT RGB Plus APP, please connect the PC to your wireless first, and click the Password setting under the software setting menu, set up your connection password. The TT RGB Plus APP will ask for your password every time when starting the APP.

For more information please visit www.thermaltake.com



English

Leads Installation Guide

Case LED Connection / On the front of the case, you can find some LEDs and switch leads. Please consult your user manual of your motherboard manufacturer, then connect these leads to the panel header on the motherboard.

USB 2.0 Connection / Please consult your motherboard manual to find out the section of "USB connection".

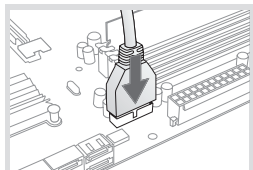
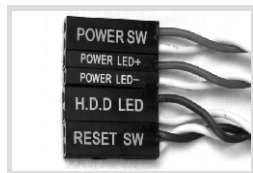
USB 3.0 connection /

1. Make sure your motherboard supports USB 3.0 connection.
2. Connect the USB 3.0 cable to the available USB 3.0 port on your computer.

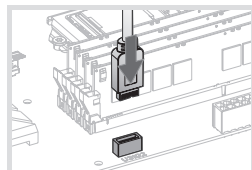
USB 3.1 connection /

1. Make sure your motherboard supports USB 3.1 connection.
2. Connect the USB 3.1 cable to the available USB 3.1 port on your computer.

Audio Connection / Please refer to the following illustration of Audio connector and your motherboard user manual. Please select the motherboard which used AC'97 or HD Audio(Azalia), (be aware of that your audio supports AC'97 or HD Audio (Azalia)) or it will damage your device(s).



USB 3.0 Connection



USB 3.1 Connection

AUDIO AZALIA Function

L-OUT		SENSE2
SENSE		KEY
R-OUT		SENSE1
MIC-POWER		PRESENSE
MIC-IN		GND



What is Smart Power Management (SPM)?

Smart Power Management (SPM) is a cloud-based software that seamlessly integrates three intelligent platforms – DPS G PC APP 3.0, DPS G Smart Power Management Cloud 1.0 and DPS G Mobile APP 1.0 – and compiles key statistics about your PC into detailed charts and breakdowns for your instant PC status view and management. With easy access to SPM through your PC or mobile devices, whether you are outside or indoors, enjoy taking full control of your build anytime, anywhere!



Thermaltake has several power supply product lines; please refer to our official website and Facebook Fan Page for more detail information!

Brand official website:

<http://www.thermaltake.com/>

Global Facebook :

<https://www.facebook.com/ThermaltakeInc>

Taiwan Facebook

<https://www.facebook.com/ThermaltakeTW>



Learn more about SPM

Tt RGB Plus Ecosystem



Tt RGB Plus Software

Thermaltake's patented software to synchronize TT RGB PLUS products with addressable LEDs.



Tt AI Voice Control

Give you full control over the TT RGB PLUS products with your voice.



SyncALL, Say "Hello TT"



Download on the App Store

GET IT ON Google play

Learn more about Tt RGB Plus