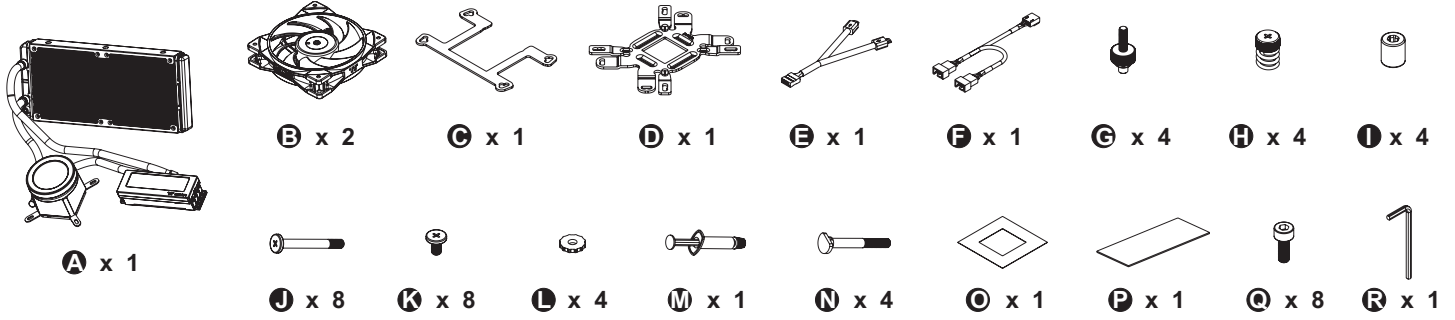
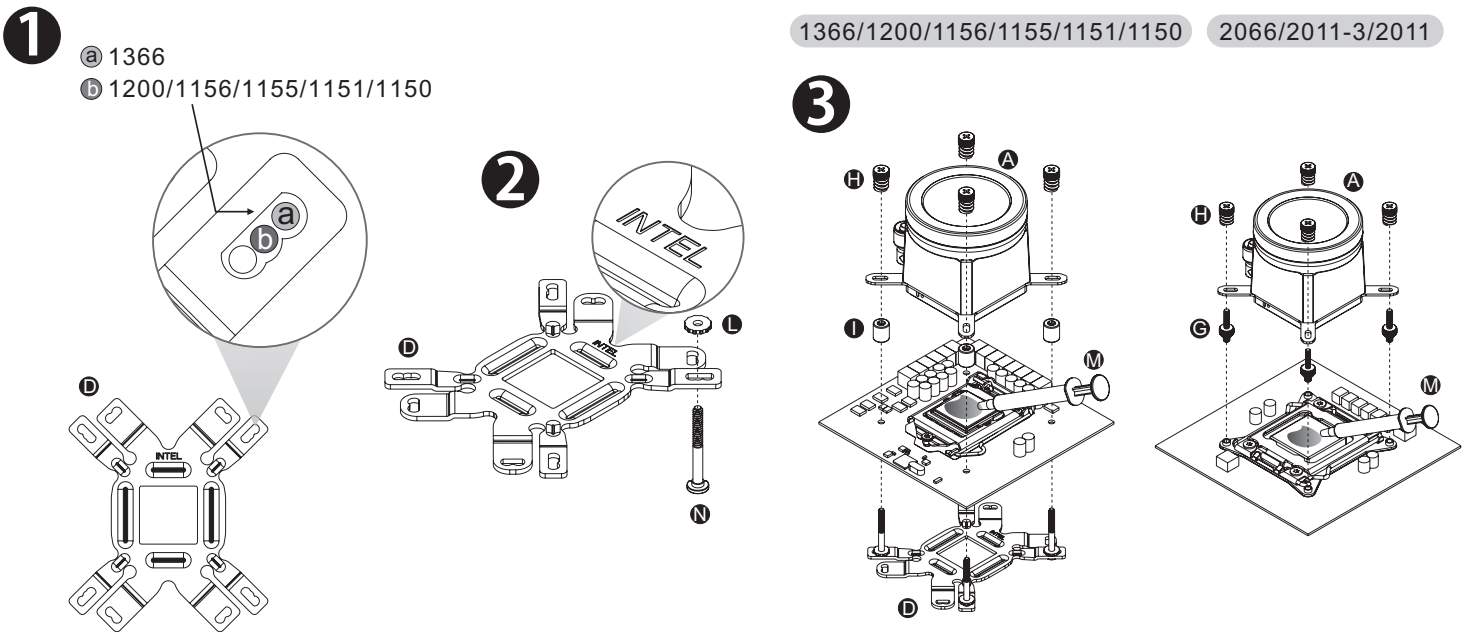


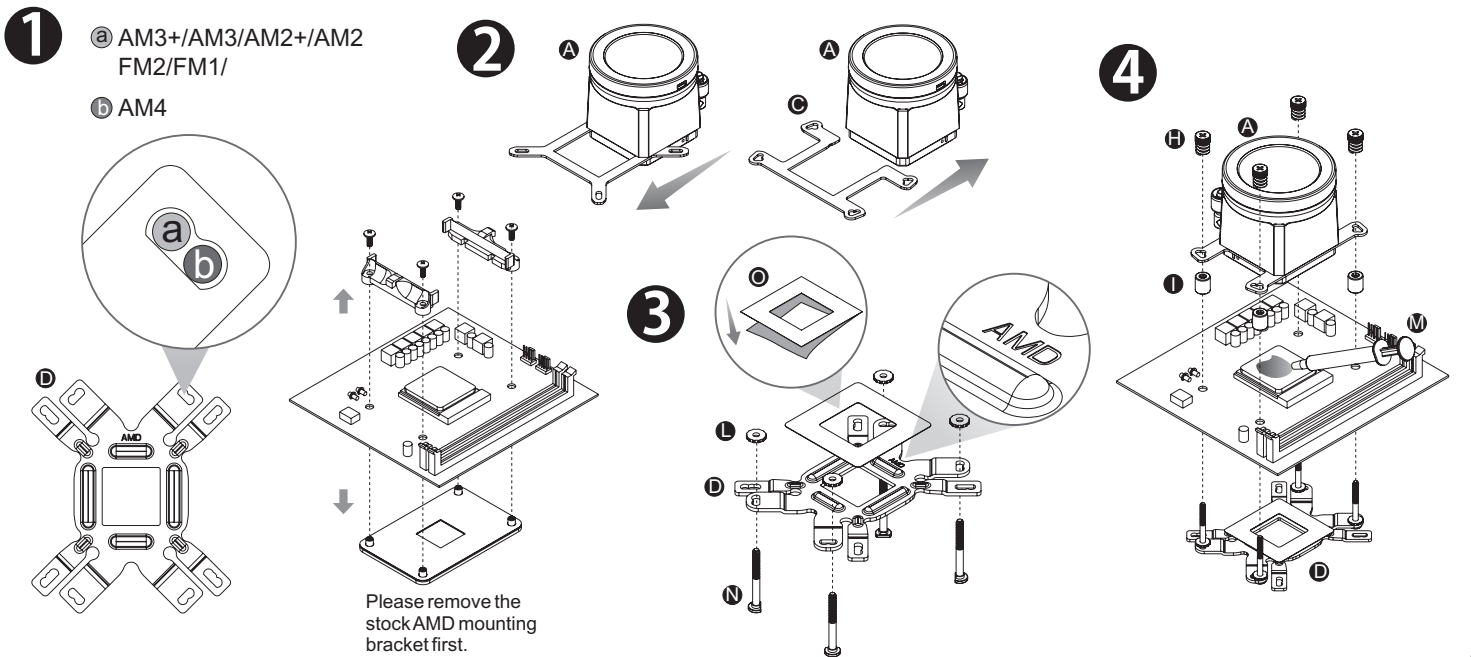
Parts List (*Memory not included.)



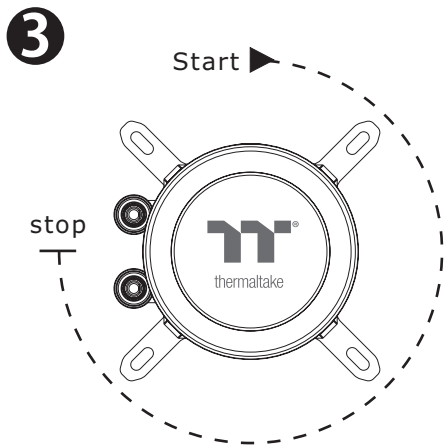
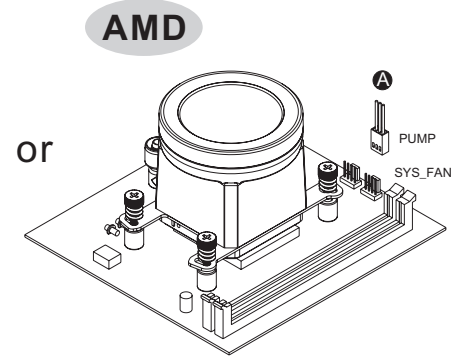
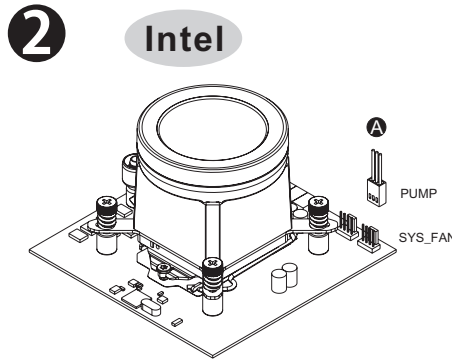
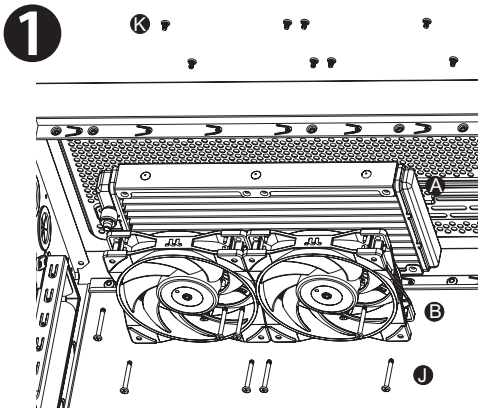
Intel Installation Guide



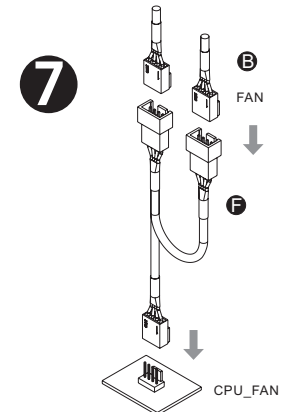
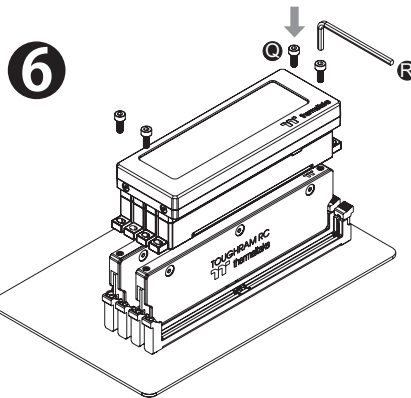
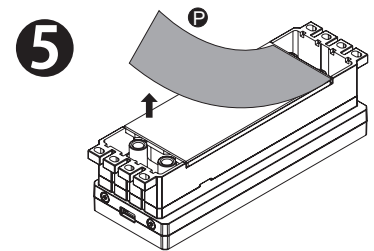
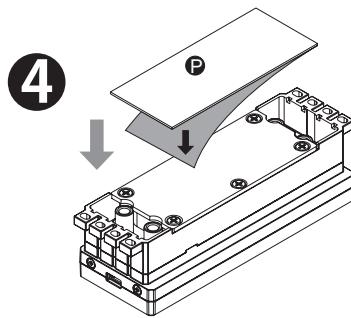
AMD Installation Guide



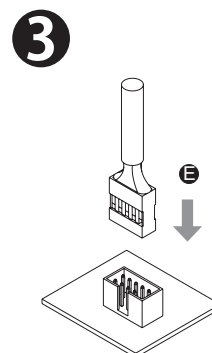
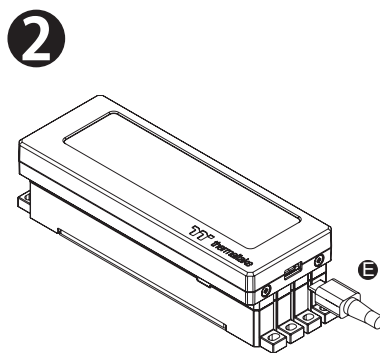
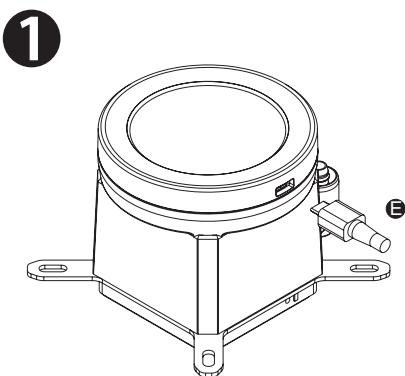
Installation Guide (*Floe RC Ultra AIO is only compatible with TOUGHRAM RC Series.)



Adjust the display to fit your motherboard from start point to stop point.



MB SYNC Installation Guide



CAUTION

To control the LCD display by TT RGB PLUS Software, Please connect the water block and motherboard with cable E.