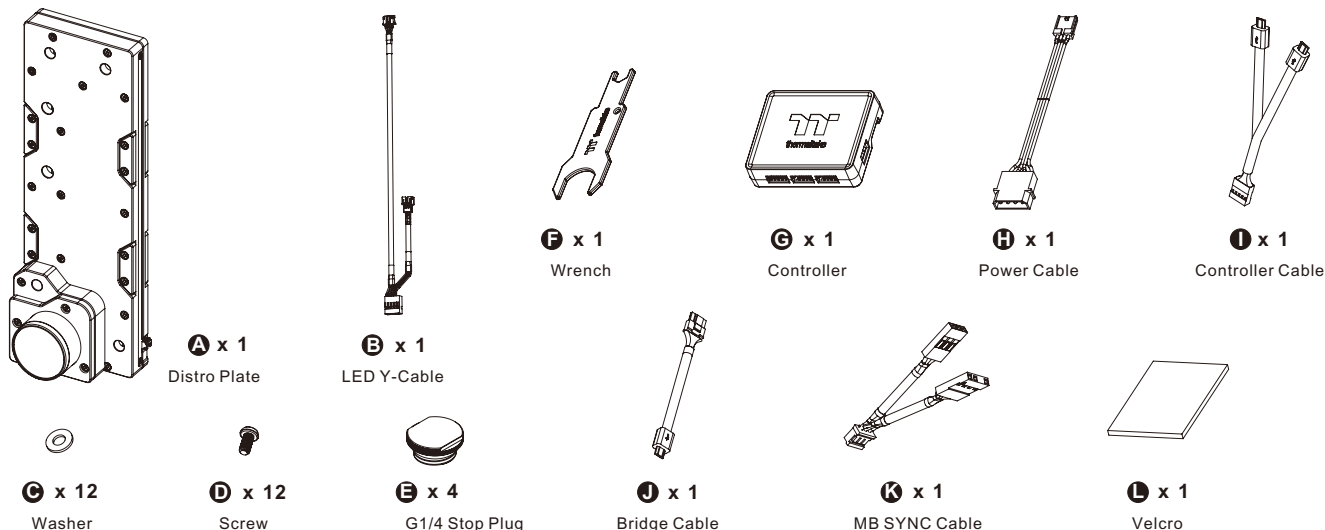


This product is intended for installation only by expert users. Please consult with a qualified technician for installation.

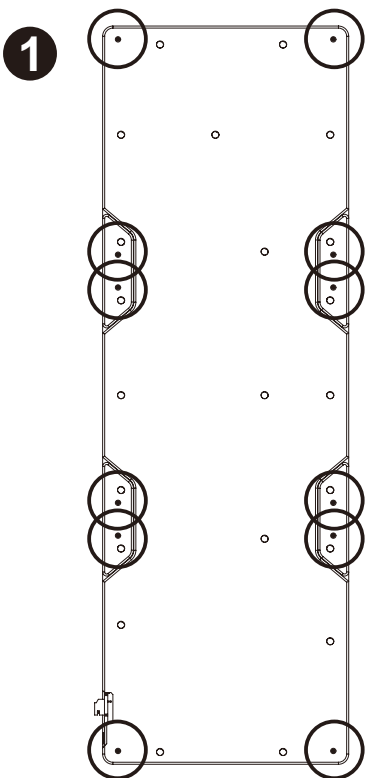
Improper installation may result in damage to your equipment.

1. Please carefully read the manual before beginning the installation process !
2. It is strongly recommended to use market proven pre-mix coolant, such as Thermaltake Coolant 1000.
3. DO NOT USE any kind of alcohol or alcohol derivatives with this reservoir or the acrylic tube may crack and fail ! Do not clean it using alcohol either !

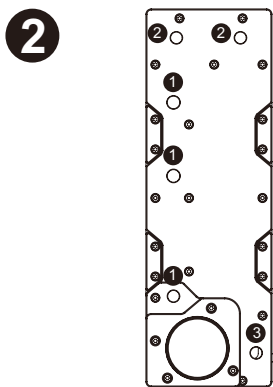
Parts List



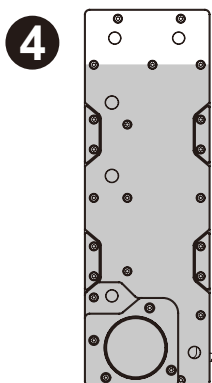
Installation Guide



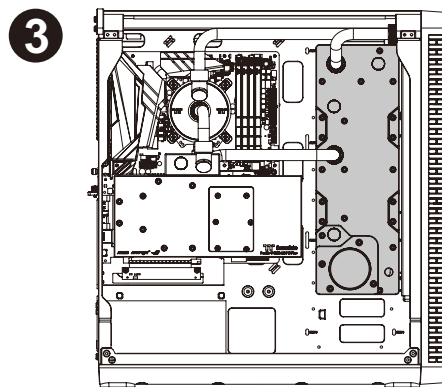
To install the DP100 in your chassis, placing a screw and washer that comes with the DP100 on every screw hole that matches the circles in below picture.



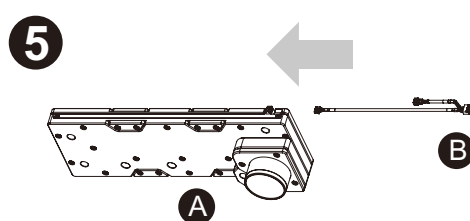
Circle 1 is designed for liquid outlet, you may choose one of the ports to use.
 Circle 2 is designed for liquid inlet/fill, you may choose one of the ports to use.
 Circle 3 is the drain port.



To avoid air bubble during liquid cooling system working, please fill the reservoir with coolant to the line (Normal coolant level)

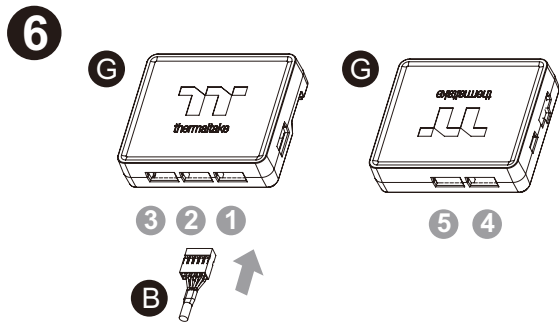


Assembly example can refer to the following figure.

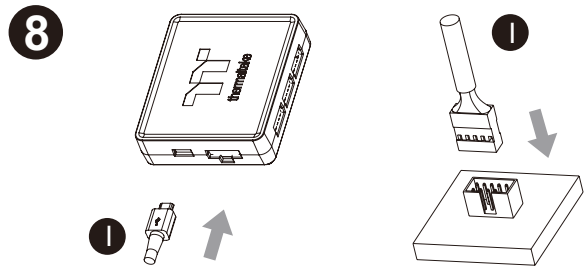


Connect the LED Y-Cable onto the Distro Plate.

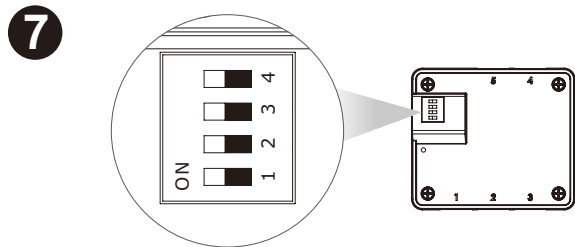
Installation Guide



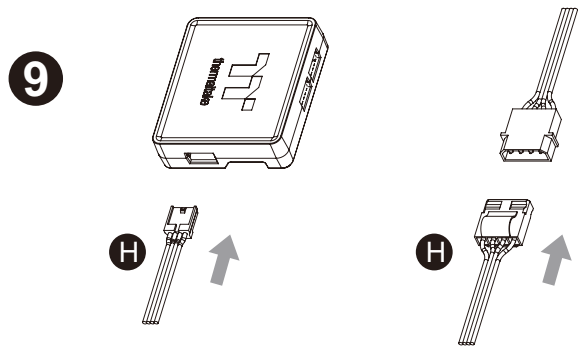
Connect the reservoir cable onto the controller.



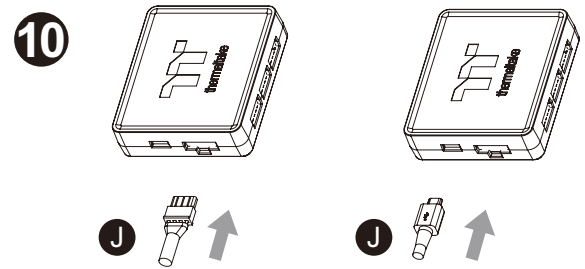
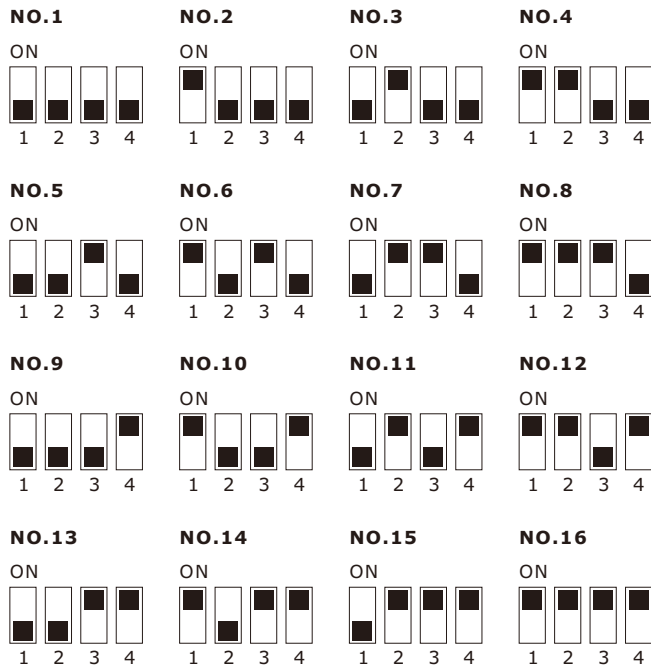
Connect the controller cable onto the mainboard (USB 2.0 9 pin) and controller.



Set the DIP switch on the back side of the controller to assign the number of the controller



Connect the power cable to the 4pin Molex connector and controller.



If you want to connect two or more connectors, you can use the bridge cable to connect the controllers.