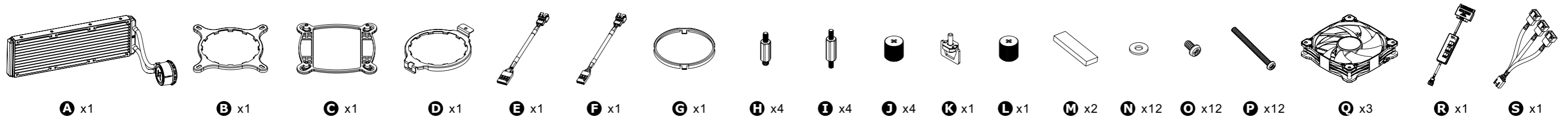


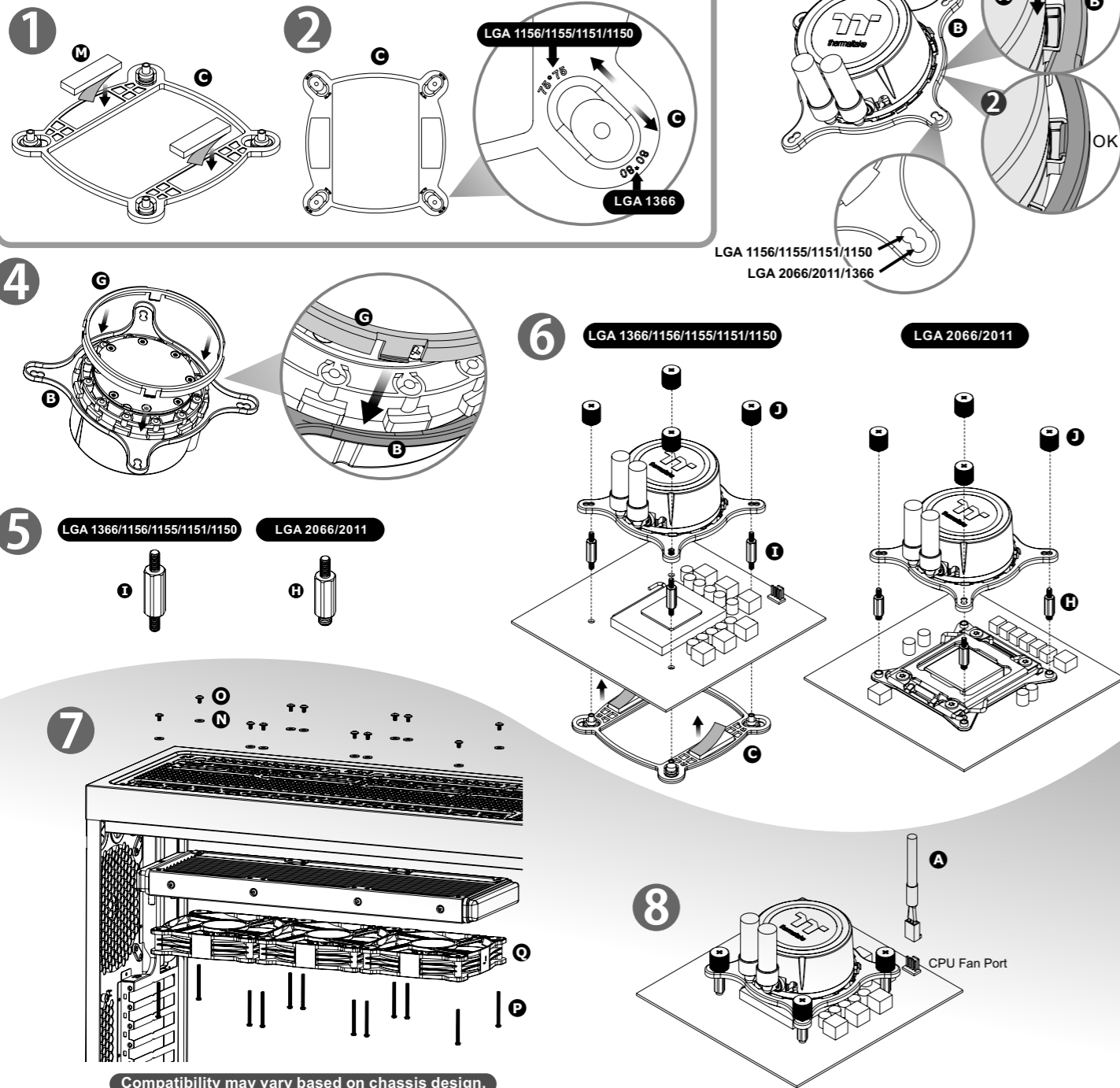
Parts List



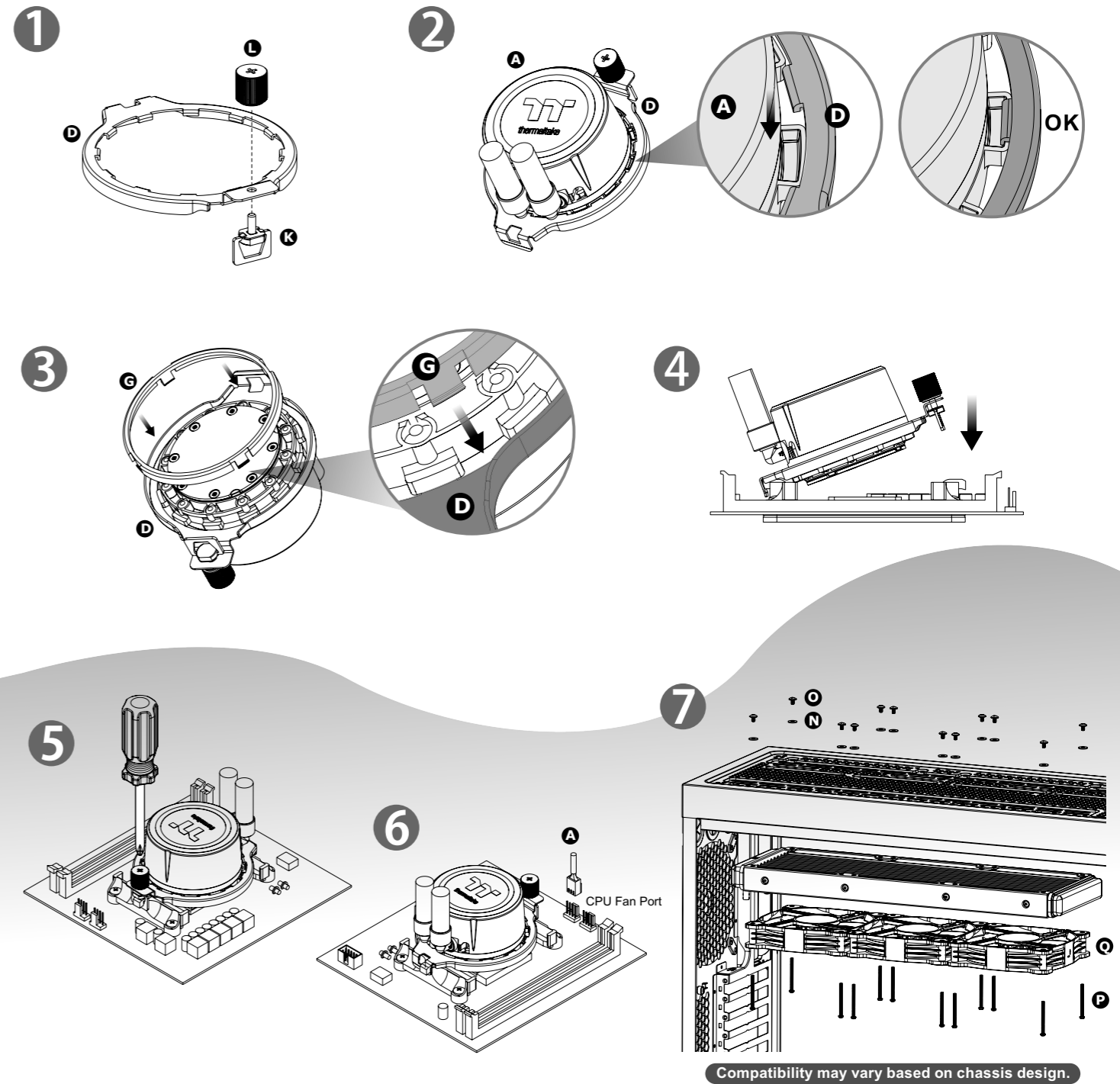
Intel Installation

Intel (Socket LGA 1366/1156/1155/1151/1150) Installation

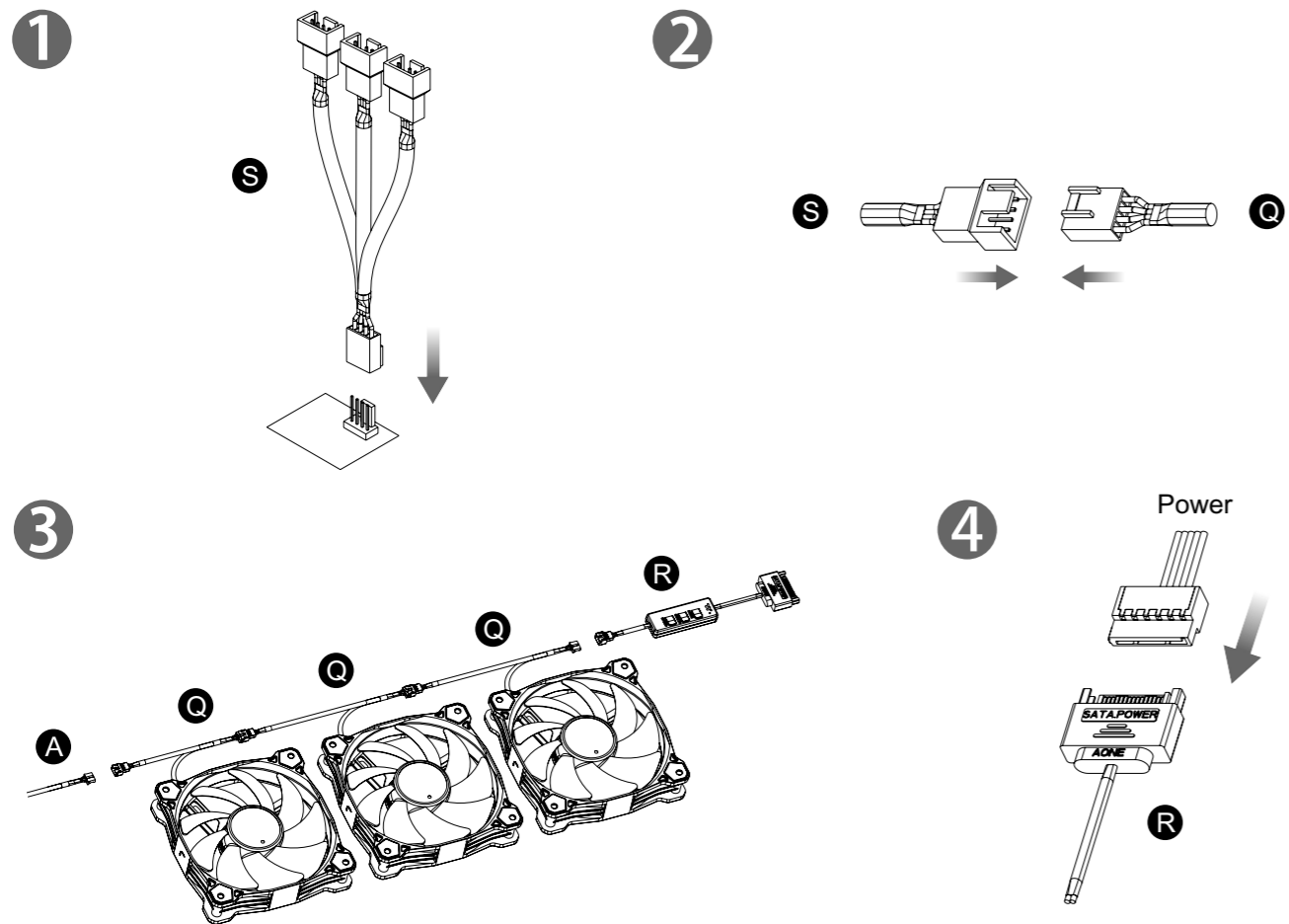
For LGA2066/2011 installation, skip step 1, 2 and continue with step 3



AMD Installation



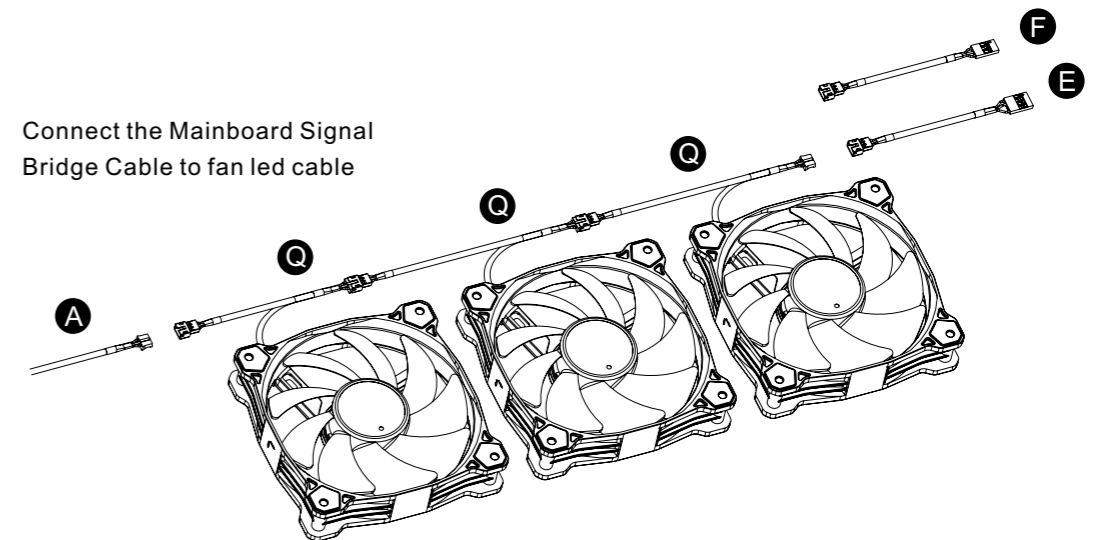
Controller Installation



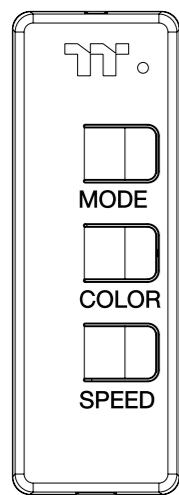
Mainboard SYNC installation Guide



Please power off the PC and check the Positive and Negative ends on the connector before connecting the cable to mainboard. Connecting the wrong end can damage the fans.



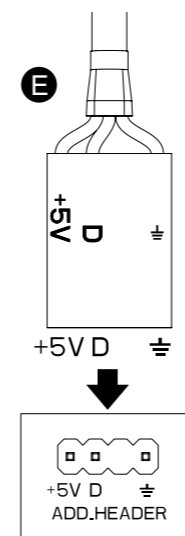
ARGB Controller



- Light Mode:**
Switch over between 7 LED modes.
Wave → Full light → RGB Spectrum → Off → Flow → Ripple → Pulse → Blink
- Color Mode:**
When light mode is in Full Lighted, Pulse and Blink :
Switch over 8 LED colors .
Red → Yellow → Green → Teal → Blue → White → Purple → Rainbow
When light mode is in Ripple :
Switch over 7 LED colors .
Red → Yellow → Green → Teal → Blue → White → Purple
When light mode is in RGB Spectrum:
Click to memorize and lock the color you want, click again to unlock the 256 colors auto rotation.
When light mode is in Wave and Flow :
LED color can not be adjusted.
- Light Speed:**
Switch over between 4 light modes.
Slow → Normal → Fast → Extreme

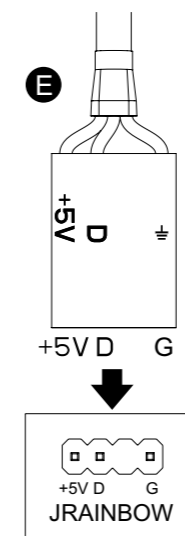
ASUS

Aura Addressable Strip Header(s)



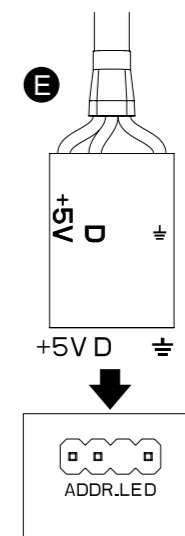
MSI

JRGB-strip Header(S)



ASROCK

Addressable RGB LED Header(s)



GIGABYTE

AOURS RGB Fusion with Digital LEDs

