

Picture is for reference only

A700 TG

User's Manual
Benutzerhandbuch
Mode d'emploi
Manual del usuario
Manuale dell'utente
Manual do Utilizador

安裝說明書
用戶手冊
ユーザーズマニュアル
Руководство пользователя
kullanıcı elkitabı
(EEE Yönetmeliğine Uygundur)
คู่มือการไอ้



© 2019 Thermaltake Technology Co., Ltd. All Rights Reserved. 2019.05
All other registered trademarks belong to their respective companies. www.thermaltake.com



TT Premium



TT Premium

To continue achieving the corporate mission of delivering the perfect user experience, Thermaltake developed "TT Premium" with the essence of combining supreme quality products with a new logo design. TT Premium is far more than just a guarantee of quality. Behind the name, it represents the passion in DIY, Modding and Thermaltake's desire to be the most innovative brand in the PC hardware market. To satisfy the demand of the high-end PC users, TT Premium follows its core values of Excellent Quality, Unique Design, Diverse Combinations and Boundless Creativity to provide a high performance PC product for every enthusiast. <http://ttpremium.com>

Tt LCS-Liquid Cooling Support Certification



Tt LCS Certified is a Thermaltake exclusive certification applied to only products that pass the design and hardcore enthusiasts standards that a true LCS chassis should be held to. The Tt LCS certification was created so that we at Thermaltake can designate to all power users which chassis have been tested to be best compatible with extreme liquid cooling configurations to ensure you get the best performance from the best features and fitment.

Join Tt Community To Receive Benefits



Dear Valued Customer,

Thank you for choosing Thermaltake.

As a new user we value your thoughts and opinions and your feedback is important to us. We at Thermaltake would like to use this opportunity to invite you to join our Community Forums. Register today to start enjoying the full benefits of our community.



Benefits of being a member:

- Quick and responsive user support
- Receive help and advice with new builds
- Keep up to date with new product releases
- Share your thoughts and builds with the community
- Enter monthly contests and giveaways

Brand official website
<http://www.thermaltake.com/>

Global Facebook
<https://www.facebook.com/ThermaltakeInc>

Taiwan Facebook
<http://www.facebook.com/ThermaltakeTW>

Global community forums
<http://community.thermaltake.com>

CONTENTS

Chapter 1. Product Introduction

1.0	Specification	01
1.1	Accessory	02
1.2	Warning and Notice	03

Chapter 2. Installation Guide

2.0	Side Panels Disassembly	05
2.1	Power Supply Unit (PSU) Installation	06
2.2	Motherboard Installation	07
2.3	3.5" & 2.5" HDD Installation	08
2.4	PCI Card Installation	09
2.5	Air Cooling Installation	11
2.6	Liquid Cooling Installation	12
2.7	Max Radiator Installation Notice	15
2.8	Pump Installation	16

Chapter 3. Leads Installation

3.1	Case LED Connection	17
3.2	USB 3.0 Connection	17
3.3	Audio Connection	17

Chapter 4. Other

4.1	Thermaltake Power Supply Series (Optional).....	23
4.2	Tt RGB Plus Ecosystem	24

*Picture for reference only




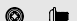

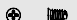


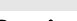

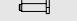
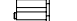




*Information in the user manual is subject to change without notice

Specification

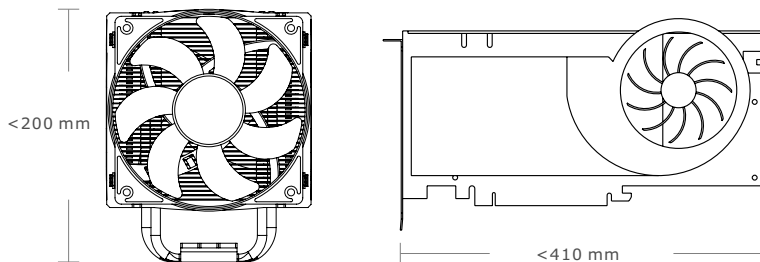
Model	A700 TG
Case Type	Full Tower
Dimension (H*W*D)	583 x 294 x 587 mm (23 x 11.6 x 23.1 inch)
Side Panel	5mm Tempered Glass x 2(Left & Right)
Cooling System	Rear (exhaust) : 140 x 140 x 25 mm fan (1000rpm, 20dBA) Front (intake) : 140 x 140 x 25 mm fan (1000rpm, 20dBA)
Drive Bays - Accessible - Hidden	2.5" x 4 or 3.5" x 4 (HDD Rack) 2.5" x 6 or 3.5" x 3
Expansion Slots	8
Motherboards	6.7" x 6.7" (Mini ITX), 9.6" x 9.6" (Micro ATX), 12" x 9.6" (ATX), 12" x 13" (E-ATX)
I/O Port	USB 3.0 x 2, USB 2.0 x 2, HD Audio x 1, Type-C x 1
Fan Support	Front: 3 x 120 mm, 3 x 140 mm, 2 x 200 mm Top: 3 x 120 mm, 2 x 140 mm, 2 x 200 mm Rear: 1 x 120 mm, 1 x 140 mm Bottom: 2 x 120 mm
Radiator Support	Front: 1 x 360 mm, 1 x 420 mm, 1 x 360 mm(For 200 mm fan) Top: 1 x 280 mm, 1 x 360 mm Rear: 1 x 120 mm, 1 x 140 mm Right: 1 x 360 mm, 1 x 420 mm (AIO: 1 x 360 mm, 1 x 280 mm) Bottom: 1 x 240 mm
Clearance	CPU cooler height limitation: 200 mm VGA length limitation: 310 mm (With HDD Rack) 410 mm (Without HDD Rack) PSU length limitation: 220 mm (Without Bottom Fan)

Accessory

Case accessory

Figure	Part Name	Q'ty	Use For
	Stand-off #6-32 x 6.5 mm	8	For Motherboard
	Screw #6-32 x 6 mm	4	For PSU
	Screw #6-32 x 5 mm	50	For MB / 3.5" HDD
	Screw M3 x 5 mm	40	For SSD / 2.5" HDD
	Nut setter	1	For MB Stand-off
	Screw Ø5 x 12 mm	8	For Case Fan
	Thumb Screw #6-32 x 5 mm	2	Backup
	Screw M3 x 39 mm	16	For 200 mm Fan
	Screw Ø3 x 8 mm	1	Strip stand
	PSU Cover strip stand	1	VGA bracket base
	PSU strip stand	1	VGA bracket base
	200 mm Fan stand	4	For Top 200 mm Fan
	Rubber Ø14 x 5 mm	4	For PSU
	Cable Ties	10	Cable Management
	Buzzer	1	Motherboard Alarm
	Key	2	Glass side panel

Warning and Notice



Warning!!

CPU Cooler Height Limitation:

Please ensure that your CPU cooler does NOT exceed 200 mm (7.9 inches) height.

VGA (Add-on card) Length Limitation:

Please ensure that your VGA (Add-on card) does NOT exceed 410 mm (16.14 inches) length.

Warnung!!

CPU-Kühler Höhenbeschränkung:

Bitte stellen Sie sicher, dass Ihr CPU-Kühler 200 mm (7,9 Zoll) Höhe nicht überschreitet.

VGA (Add-on-Karte) Längenbeschränkung:

Bitte stellen Sie sicher, dass Ihre VGA (Add-on-Karte) 410 mm (16,14 Zoll) Länge nicht überschreitet.

Avertissement !

Limite de hauteur du ventilateur de CPU :

Vérifiez que la hauteur du ventilateur de CPU ne dépasse pas 200 mm.

Limite de longueur de la carte (complémentaire) VGA :

Vérifiez que la longueur de votre carte (complémentaire) VGA ne dépasse pas 410 mm

Precaución

Limitación de altura del refrigerador de CPU:

Asegúrese de que la altura de su refrigerador de CPU no excede los 200 mm (7,9 pulgadas).

Limitación de longitud de la tarjeta de vídeo (adicional):

Asegúrese de que la longitud de su tarjeta de vídeo (adicional) no excede los 410 mm (16,14 pulgadas).

Attenzione!

Limitazione altezza dissipatore CPU:

Assicurarsi che l'altezza del dissipatore CPU NON superi 200 mm (7,9 pollici).

Limitazione lunghezza VGA (scheda aggiuntiva):

Assicurarsi che la lunghezza del VGA (scheda aggiuntiva) NON superi 410 mm (16,14 pollici).

Atenção!!

Limite de altura para o dissipador do CPU:

O limite de altura para o dissipador do CPU é 200 mm (7,9 polegadas).

Limite de comprimento para VGA (placa gráfica):

O limite de comprimento para VGA (placa gráfica) é 410 mm (16,14 polegadas).

警告 !!

CPU 冷卻器的高度限制：

請確保 CPU 冷卻器的高度不超過 200 mm (7.9 英寸)。

VGA (附加介面卡) 的長度限制：

請確保 VGA (附加介面卡) 的長度不超過 410 mm (16.14 英寸)。

警告 !!

CPU 散热器高度限制：

请确保 CPU 散热器的高度不超过 200 mm (7.9 英寸) 。

VGA (附加卡) 长度限制：

请确保 VGA (附加卡) 的长度不超过 410 mm (16.14 英寸) 。

警告

CPUクーラーの高さ制限:

CPUクーラーの高さが200mmを超えていないことを確認してください。

VGA (アドオンカード) の長さ制限:

VGA (アドオンカード) の長さが410mmを超えていないことを確認してください。

Внимание!

Ограничение по высоте охладителя ЦП

Убедитесь, что высота охладителя ЦП (центрального процессора) НЕ превышает 200 мм (7,9 дюйма).

Ограничение по длине видеокарты VGA (плата расширения)

Убедитесь, что длина видеокарты VGA (плата расширения) НЕ превышает 410 мм (16,14 дюйма).

Uyar!!

CPU Soğutucu Yükseklik Sınırlaması:

Lütfen CPU soğutucunuzun yüksekliğinin 200mm'yi (7,9 inç) GEÇMEDİĞİNDEN emin olun.

VGA (Eklenti kartı) Uzunluk Sınırlaması:

Lütfen VGA'nızın (Eklenti kartı) uzunluğunun 410mm'yi (16,14 inç) GEÇMEDİĞİNDEN emin olun.

คำเตือน!!

ขีดจำกัดความสูงสำหรับฮีตซิงก์ของ CPU:

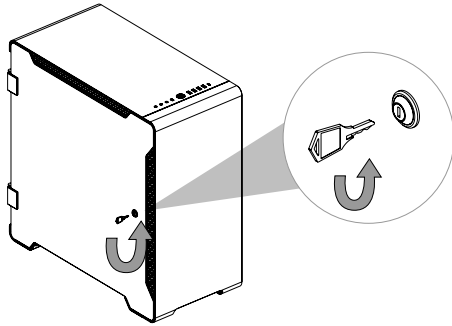
ขีดจำกัดความสูงสำหรับฮีตซิงก์ของ CPU คือ 200 มม. (7.9 นิ้ว)

ขีดจำกัดความยาวสำหรับ VGA (การ์ดแสดงผล):

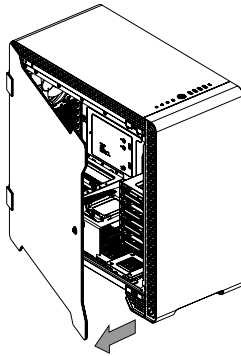
ขีดจำกัดความยาวสำหรับ VGA (การ์ดแสดงผล) คือ 410 มม. (16.14 นิ้ว)

Side Panels Disassembly

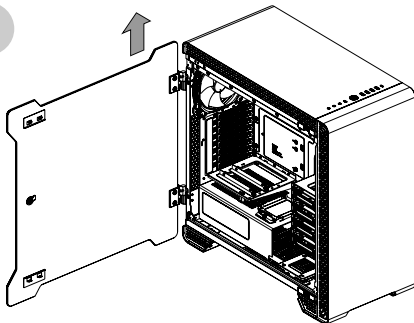
1



2



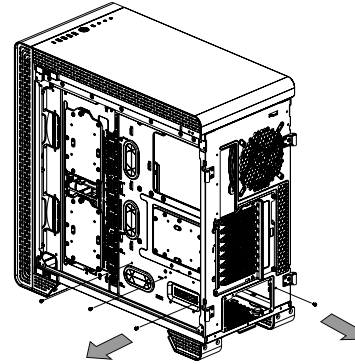
3



Power Supply Unit (PSU) Installation

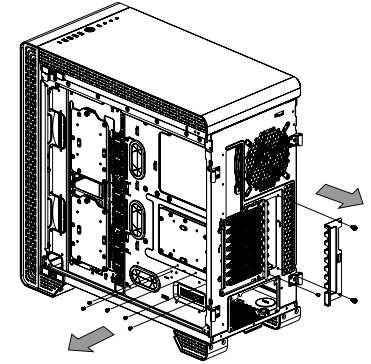
1

Remove PSU cover



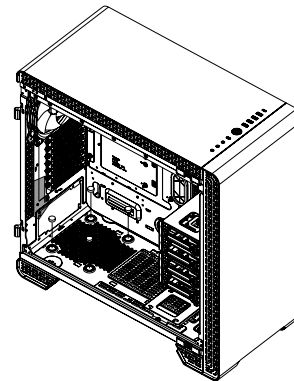
2

Remove VGA bracket base



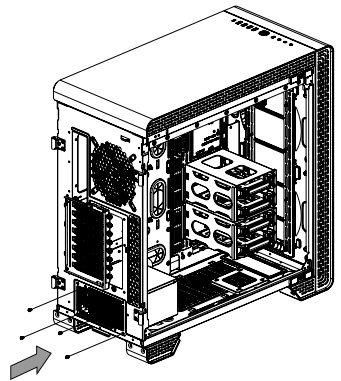
3

Attach PSU rubbers

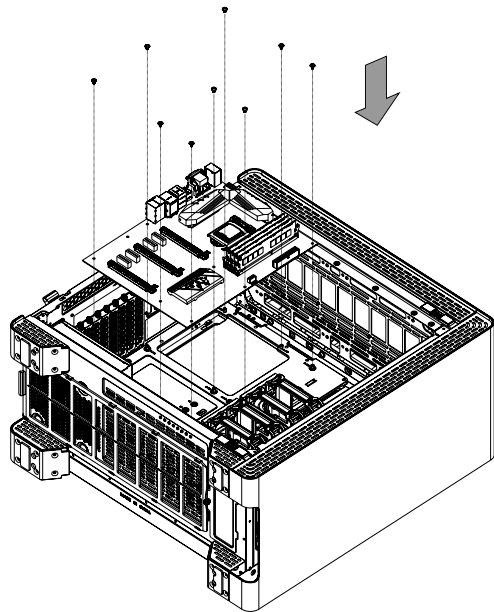


4

PSU installation



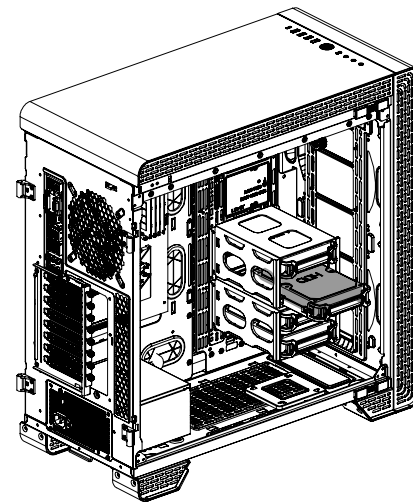
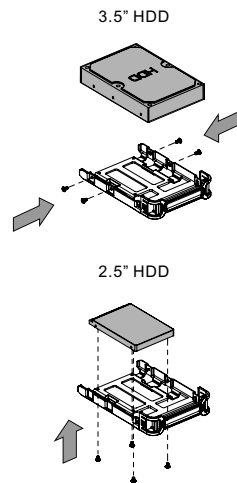
Motherboard Installation



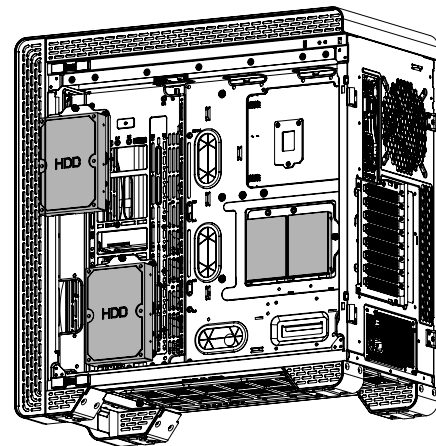
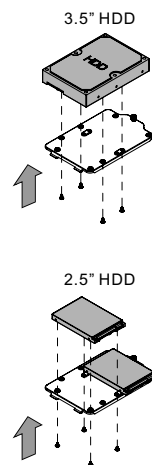
Note:

3.5" & 2.5" HDD Installation

In front of M/B Tray

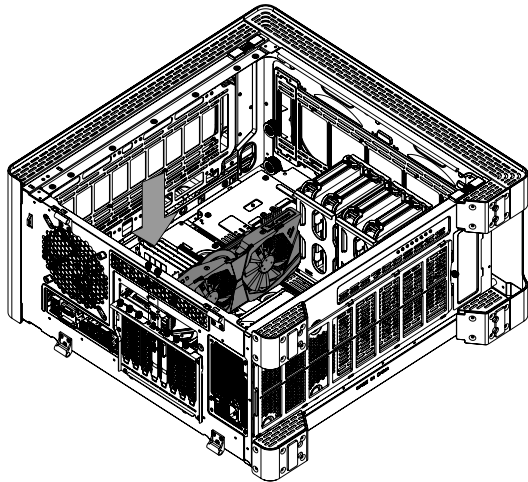
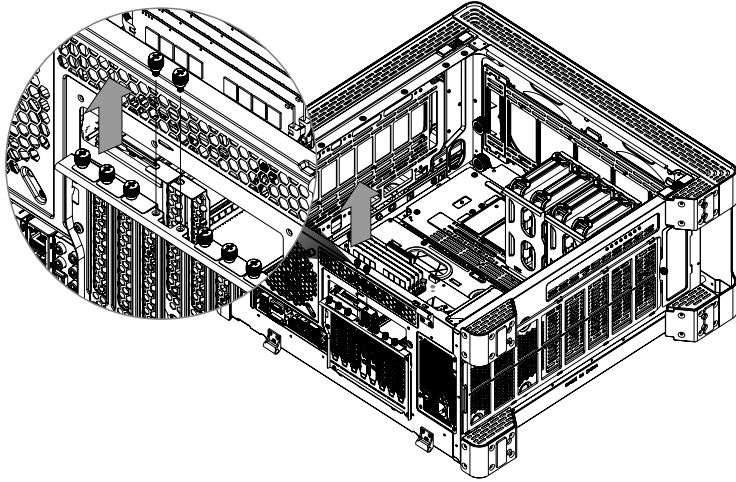


Behind M/B Tray B



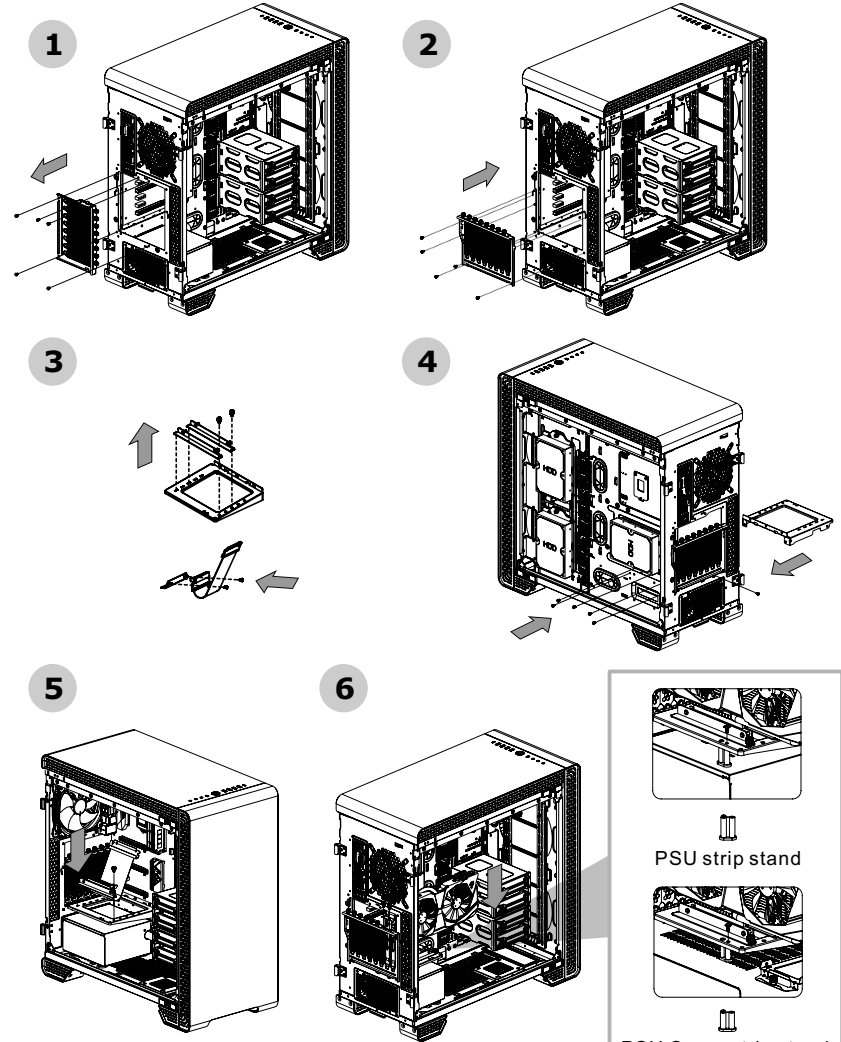
PCI Card Installation

TypeA Traditional GPU installation

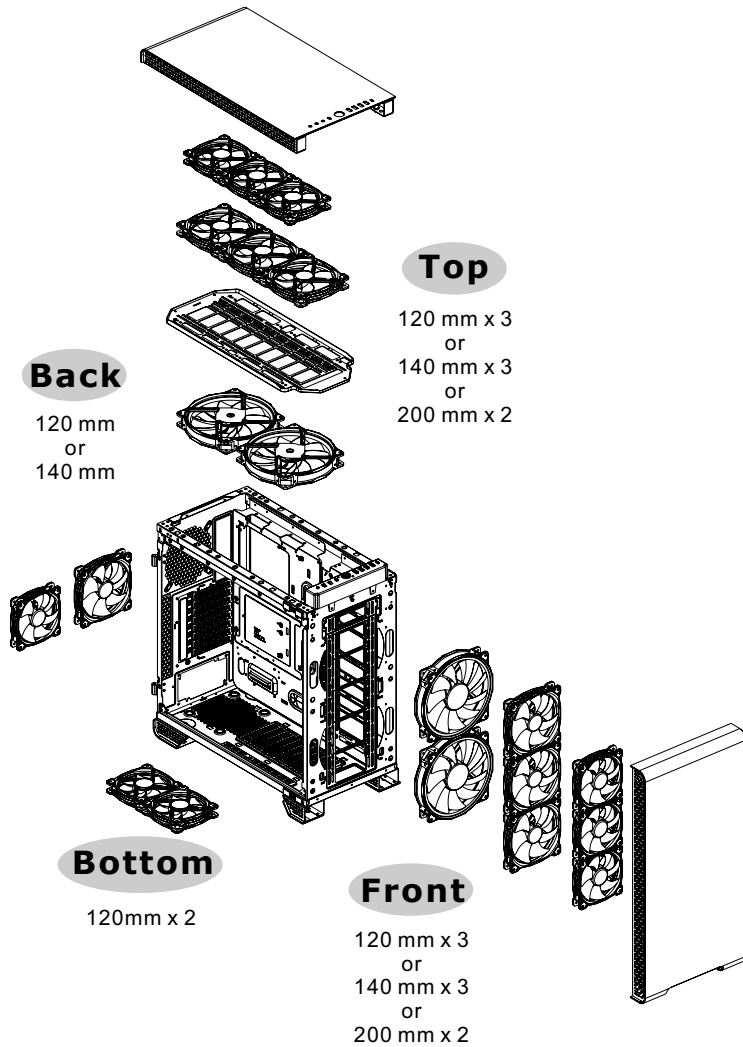


TypeB (Optional) Vertical GPU installation

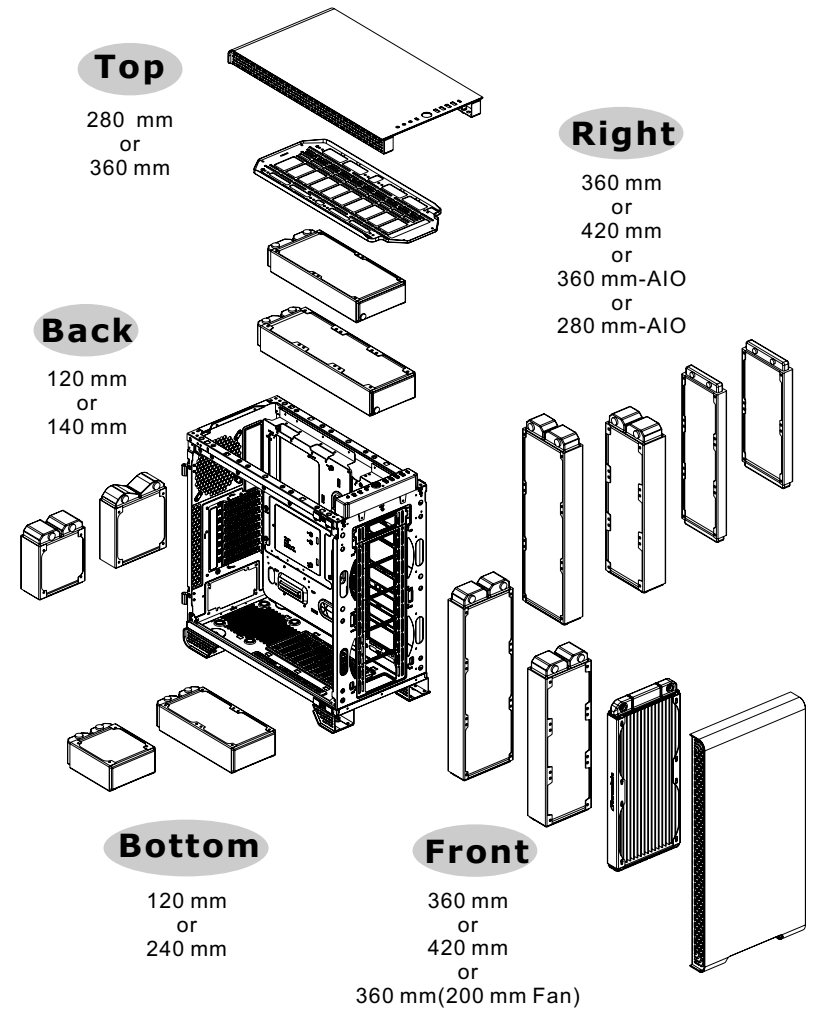
※Riser Cable is not included



Air Cooling Installation



Liquid Cooling Installation



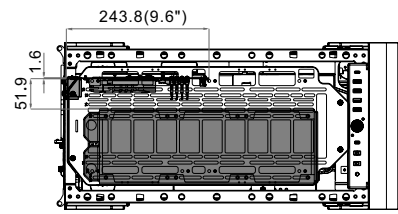
Max Radiator Installation Notice

Top Radiator Installation Notice

※Please consult radiator & memory height for proper installation
 安裝前請參考水冷排與記憶體高度

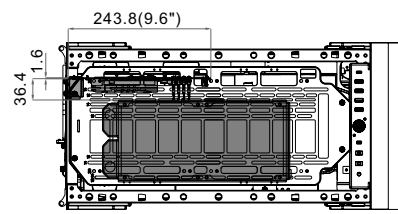
Radiator: 360 mm x 64 mm (T/F) Radiator: 280 mm x 55 mm (T)
 420 mm x 55 mm (F)

Offset



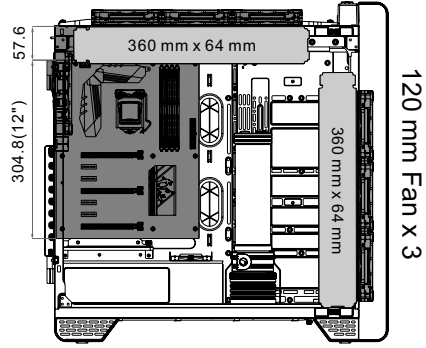
Top

Offset



Top

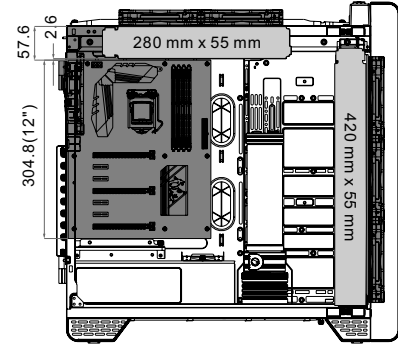
120 mm Fan x 3



Front

120 mm Fan x 3

140 mm Fan x 2

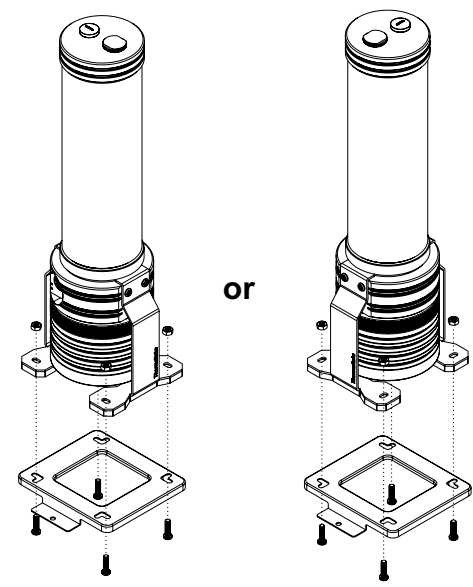


Front

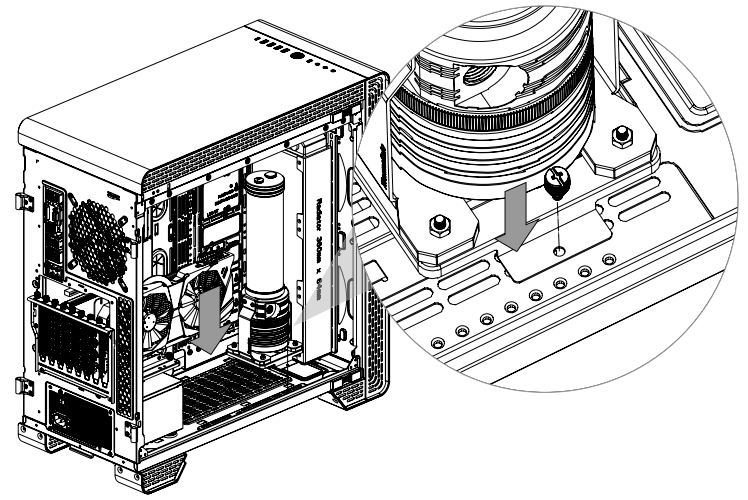
140 mm Fan x 3

Pump Installation

1



2



Leads Installation

English

Leads Installation Guide

A. Case LED Connection / On the front of the case, you can find some LEDs and switch leads. Please consult your user manual of your motherboard manufacturer, then connect these leads to the panel header on the motherboard.

B. USB 3.0 connection /

1. Make sure your motherboard supports USB 3.0 connection.
2. Connect the USB 3.0 cable to the available USB 3.0 port on your computer.

C. Audio Connection / Please refer to the following illustration of Audio connector and your motherboard user manual. Please select the motherboard which used AC'97 or HD Audio(Azalia), (be aware of that your audio supports AC'97 or HD Audio (Azalia) or it will damage your device(s).

Deutsch

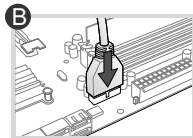
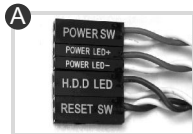
Anschlüsse herstellen

A. Gehäuse-LED-Verbindungen / Auf der Gehäusevorderseite finden Sie einige LEDs und Verbindungen. Bitte nehmen Sie die Gebrauchsanweisung Ihres Motherboard Herstellers zur Hilfe und schließen Sie diese Verbindungen an die Panel Header Belegung des Motherboards an.

B. USB 3.0 Anschluss /

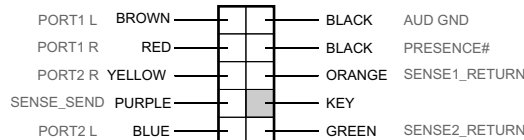
1. Stellen Sie sicher, dass Ihre Hauptplatte den USB 3.0 Anschluss unterstützt.
2. Verbinden Sie das USB 3.0 Kabel mit dem USB 3.0 Port auf Ihrem Computer.

C. Audio Anschlüsse / Bitte beachten Sie die folgende Abbildung der Audio Anschlüsse und die Anweisung in der Gebrauchsanweisung Ihres Motherboards. Bitte wählen Sie das Motherboard, das AC'97 oder HD Audio(Azalia) verwendet, (achten Sie darauf, dass Ihr Audio AC'97 bzw. HD Audio (Azalia unterstützt)). Andernfalls entstehen schwere Schäden an Ihrem(n) Gerät(en)!!!



USB 3.0 Connection

C AUDIO HD AUDIO Function



Français

Guide d'installation des fils

A. Connexion des voyants du boîtier / Sur la face avant du boîtier, vous trouverez plusieurs voyants et les fils des boutons. S'il vous plaît consultez le guide d'utilisateur du fabricant de votre carte mère, puis connectez ces fils aux connecteurs sur la carte mère.

B. Connexion USB 3.0 /

1. Vérifiez que votre carte mère prend en charge la connexion USB 3.0.
2. Connectez le câble USB 3.0 au port USB 3.0 disponible sur votre ordinateur.

C. Connexion Audio / S'il vous plaît référez vous à l'illustration suivante du connecteur audio et au guide de l'utilisateur de votre carte mère. S'il vous plaît sélectionnez une carte mère supportant AC'97 ou HD Audi (Azalia), (faites attention que votre audio supporte l'AC'97 ou HD Audio (Azalia) sinon cela pourrait endommager votre matériel.

Español

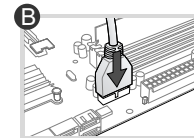
Guía de Instalación de Cables

A. Conexión del LED de la caja / En la parte frontal de la caja, encontrará algunos LED y cables de interruptores. Consulte el manual del usuario del fabricante de la placa madre, a continuación conecte estos cables al conector de la placa madre.

B. Conexión USB 3.0 /

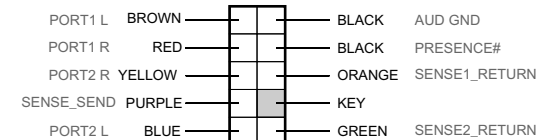
1. Asegúrese de que la placa base admite conexión USB 3.0.
2. Conecte el cable USB 3.0 al puerto USB 3.0 disponible en el equipo.

C. Conexión de Audio / Consulte la siguiente ilustración del conector de Audio y el manual del usuario de la placa madre. Seleccione la placa madre que utiliza AC'97 o HD Audio (Azalia), (asegúrese de que su audio admite AC'97 o HD Audio (Azalia) si no, sus dispositivos resultarán dañados



USB 3.0 Connection

C AUDIO HD AUDIO Function



Italiano

Guida di installazione dei contatti

A. Connessione del LED del case / Nella parte anteriore del case, sono presenti alcuni contatti per interruttori e LED. Consultare il manuale utente del produttore della scheda madre, quindi connettere i contatti alla parte superiore del pannello sulla scheda madre.

B. Connessione USB 3.0 /

1. Accertarsi che la scheda madre supporti la connessione USB 3.0.
2. Collegare il cavo USB 3.0 alla porta USB 3.0 disponibile sul computer.

C. Connessione Audio / Fare riferimento all'illustrazione riportata di seguito del connettore Audio e al manuale utente per la scheda madre. Selezionare la scheda madre relativa a AC'97 o HD Audio (Azalia) e considerare che il supporto audio è compatibile con AC'97 o HD Audio (Azalia); in caso contrario, le periferiche potrebbero venire danneggiate.

Português

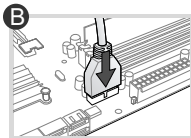
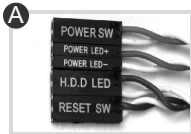
Guia de Instalação Eléctrica

A. Ligação do LED da Caixa / Na parte dianteira da caixa pode encontrar alguns LEDs e fios eléctricos. Consulte o manual de utilizador do fabricante da sua motherboard e ligue os fios à parte superior do painel na motherboard.

B. Ligação USB 3.0 /

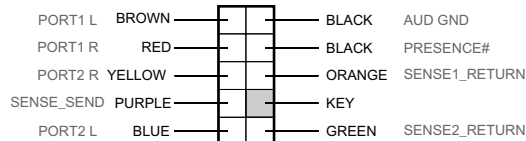
1. Certifique-se que a sua motherboard suporta ligação USB 3.0.
2. Ligue o cabo USB 3.0 à porta USB 3.0 disponível no seu computador.

C. Ligação Áudio / Consulte a imagem seguinte do conector Áudio e o manual de utilizador da sua motherboard. Selecione a motherboard que utiliza AC'97 ou HD Áudio (Azalia), (verifique se a sua placa de áudio suporta AC'97 ou HD Áudio (Azalia)) ou irá danificar o(s) seu(s) dispositivo(s).



USB 3.0 Connection

C AUDIO HD AUDIO Function



繁體中文

線材安裝說明

A. 機殼LED連接方式 / 在機殼前方的面板後面，可以找到一些LED與開關線材 (POWER Switch....)，請參考主機板使用說明書，並將機殼上的線材正確地連接到主機板上，這些線材通常都會印有標籤在上面，如果沒有的話，請找出機殼前方面板上線材原本的位置以知道正確的來源。

B. USB 3.0 連接 /

1. 請確認主機板是否支援USB 3.0傳輸介面。
2. 連接USB 3.0傳輸線至主機板上的USB3.0接埠。

C. 音效連接 / 請根據下面的音源接頭圖示與主機板使用手冊來連接音效裝置，請確認主機板上的音效裝置是支援AC'97音效或是HD音效(Azalia)，裝置錯誤可能會導致主機板音效裝置的毀損，某些主機板的音效裝置不會與下方的圖示完全相同，請參酌主機板使用手冊以得到正確的安裝資訊。

简体中文

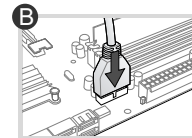
线材安装说明

A. 机壳LED连接方式 / 在机壳前方的面板后面，可以找到一些LED与开关线材 (POWER Switch....)，请参考主板使用说明书，并将机壳上的线材正确地连接到主板上，这些线材通常都会印有标签在上面，如果没有的话，请找出机壳前方面板上线材原本的位置以知道正确的来源。

B. USB 3.0 连接 /

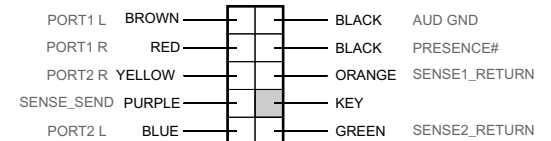
1. 请确认主板是否支持USB 3.0传输接口。
2. 连接USB 3.0传输线至主板上的USB3.0接埠。

C. HD音效(Azalia)，装置错误可能会导致主板音效装置的毁损，某些主板的音效装置不会与下方的图标完全相同，请参酌主板使用手册以得到正确的安装信息。



USB 3.0 Connection

C AUDIO HD AUDIO Function



日本語

リード線の取り付けガイド

A. ケース LED の接続 / ケース前面には、LEDとスイッチリード線があります。 マザーボードメーカーのユーザーマニュアルを参照し、これらのリード線をマザーボードのパネルヘッダに接続してください。

B. USB 3.0 の接続 /

1. お使いのマザーボードがUSB 3.0接続をサポートしていることを確認してください。
2. USB 3.0ケーブルをコンピュータの空いているUSB 3.0ポートに接続します。

C. オーディオ接続 / オーディオコネクタの次の図とマザーボードのユーザーマニュアルを参照してください。AC'97またはHDオーディオ(Azalia)を使用するマザーボードを選択してください(オーディオがAC'97またはHDオーディオ(Azalia)をサポートしていることを確認してください)。サポートしていないと、デバイスが損傷します)。

Русский

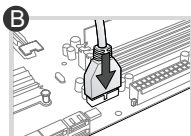
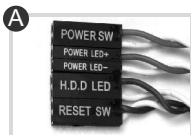
Указания по прокладке кабелей

A. Подключение индикаторов корпуса / В передней части корпуса расположены индикаторы и провода выключателя. Перед подсоединением этих проводов к монтажной колодке панели на материнской плате изучите руководство пользователя производителя материнской платы.

B. Подключение USB 3.0 /

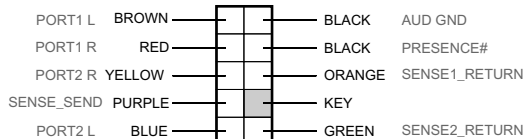
1. Убедитесь, что материнская плата поддерживает подключение по стандарту USB 3.0.
2. Подсоедините кабель USB 3.0 к свободному порту USB 3.0 компьютера.

C. Подключение аудиоразъема / См. следующую иллюстрацию аудиоразъема и руководство пользователя материнской платы. Выберите материнскую плату, в которой используется кодек AC'97 или HD Audio (Azalia) (убедитесь, что звуковая плата поддерживает кодек AC'97 или HD Audio (Azalia)). В противном случае можно повредить устройства.



USB 3.0 Connection

C AUDIO HD AUDIO Function



Türkçe

Ara Kablo Kurulum Kılavuzu

A. Kasa ışık bağlantısı / Kasanın ön kısmında bazı ışıklar ve anahtar ara kabloları görebilirsiniz. Lütfen anakart üreticinizin sağladığı kullanım kılavuzuna bakın ve daha sonra, bu ara kabloları, anakart üzerindeki panel bağlantı noktalarına bağlayın.

B. USB 3.0 Bağlantısı /

1. Ana kartınızın USB 3.0 bağlantısını desteklediğinden emin olun.
2. USB 3.0 kablousunu, bilgisayarınızdaki kullanılabilir USB 3.0 bağlantı noktasına bağlayın.

C. Ses Bağlantısı / Lütfen aşağıdaki Ses konektörü resmine ve anakartınızın kullanım kılavuzuna bakın. Lütfen AC'97 veya HD Audio(Azalia) spesifikasyonunu kullanan bir anakart seçin (ses sisteminizin AC'97 veya HD Audio (Azalia) spesifikasyonunu desteklediğini unutmayın); aksi takdirde, aygıt(lar)ınız zarar görür.

ภาษาไทย

คู่มือการติดตั้งสายไฟ

A. การเชื่อมต่อไฟ LED ของเคส / ที่ด้านหน้าของเคส คุณจะเห็นไฟ LED และสายไฟของสวิตช์ กรณีศึกษารายละเอียดจากคู่มือผู้ใช้ของผู้ผลิตแผงวงจรหลักของคุณ จากนั้นให้เชื่อมต่อสายไฟเหล่านี้เข้ากับส่วนหัวของแผงบนแผงวงจรหลัก

B. การเชื่อมต่อ USB 3.0 /

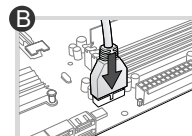
1. ตรวจสอบให้แน่ใจว่าแผงวงจรหลักของคุณรองรับการเชื่อมต่อ USB 3.0
2. เชื่อมต่อสาย USB 3.0 เข้ากับพอร์ต USB 3.0 ที่สามารถใช้งานได้บนคอมพิวเตอร์ของคุณ

C. การเชื่อมต่ออุปกรณ์รับส่งสัญญาณเสียง / กรุณาดูรายละเอียดจากภาพประกอบของตัวเชื่อมต่อสัญญาณเสียงต่อไปนี้ และคู่มือผู้ใช้ของผู้ผลิตแผงวงจรหลักของคุณ

กรุณาเลือกแผงวงจรหลักที่ใช้ AC'97 หรือ HD Audio(Azalia)

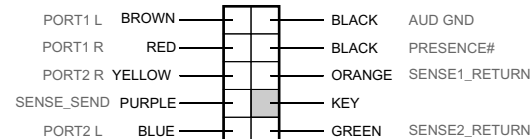
(กรุณาตรวจสอบให้แน่ใจว่าอุปกรณ์รับส่งสัญญาณเสียงของคุณรองรับ AC'97 หรือ HD Audio (Azalia))

มิฉะนั้นอุปกรณ์ของคุณอาจเสียหายได้



USB 3.0 Connection

C AUDIO HD AUDIO Function



Thermaltake Power Supply Series (Optional)



What is Smart Power Management (SPM)?

Smart Power Management (SPM) is a cloud-based software that seamlessly integrates three intelligent platforms – DPS G PC APP 3.0, DPS G Smart Power Management Cloud 1.0 and DPS G Mobile APP 1.0 – and compiles key statistics about your PC into detailed charts and breakdowns for your instant PC status view and management. With easy access to SPM through your PC or mobile devices, whether you are outside or indoors, enjoy taking full control of your build anytime, anywhere!



Thermaltake has several power supply product lines; please refer to our official website and Facebook Fan Page for more detail information!

Brand official website:

<http://www.thermaltake.com/>

Global Facebook :

<https://www.facebook.com/ThermaltakeInc>

Taiwan Facebook

<https://www.facebook.com/ThermaltakeTW>



Tt RGB Plus Ecosystem



Tt RGB Plus Software
Thermaltake's patented software to synchronize TT RGB PLUS products with addressable LEDs.



Tt AI Voice Control
Give you full control over the TT RGB PLUS products with your voice.

SyncALL, Say "Hello TT"



Download on the App Store



GET IT ON Google play



Learn more about TT RGB Plus